

**Coffee System**  
**Doser Coffee Grinder, Flat 75 mm**

ITEM # \_\_\_\_\_

MODEL # \_\_\_\_\_

NAME # \_\_\_\_\_

SIS # \_\_\_\_\_

AIA # \_\_\_\_\_



602544 (GRND700)

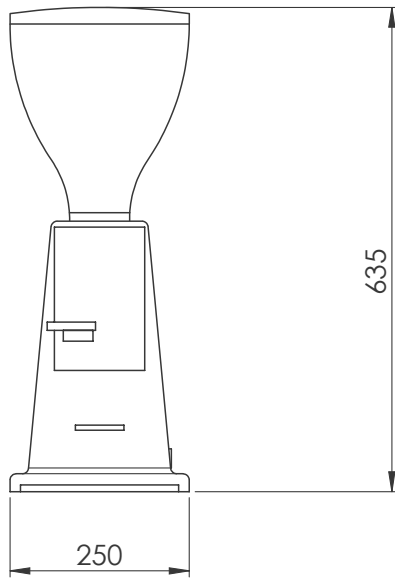
Doser Coffee Grinder, Flat  
75 mm

**Main Features**

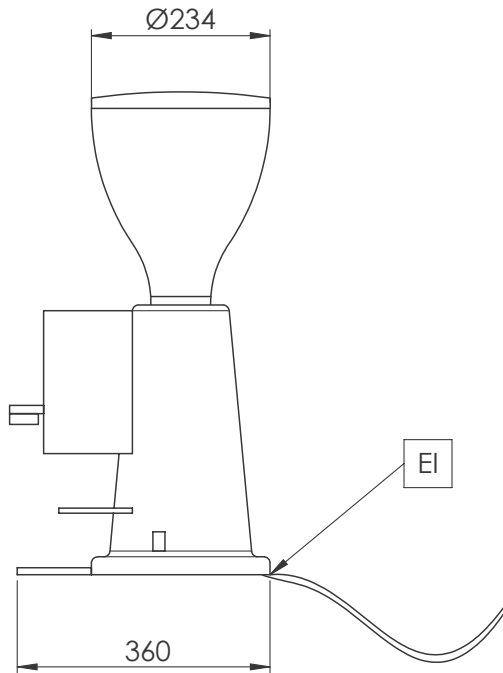
- Automatic fill-in doser.
- Practical to use thanks to the automatic refill feature of the doser compartment, distributing a volumetrically controlled, consistent portion every time.

APPROVAL: \_\_\_\_\_

Front



Side



**Electric**

Supply voltage:	230 V/1N ph/50 Hz
602544 (GRND700)	
Electrical power max.:	0.8 kW
Plug type:	CE-SHUKO

**Key Information:**

External dimensions, Width:	250 mm
External dimensions, Height:	635 mm
External dimensions, Depth:	360 mm
Net weight:	15.5 kg
Shipping weight:	20.5 kg
Shipping height:	620 mm
Shipping width:	300 mm
Shipping depth:	400 mm
Shipping volume:	