

Crosswise Convection Electric Convection Oven, 10 GN2/1

ITEM # _____

MODEL # _____

NAME # _____

SIS # _____

AIA # _____


260707 (FCE102)

 Electric Convection Oven
 10x2/1GN, crosswise

Short Form Specification

Item No.

Main structure in stainless steel, with seamless joints in the oven cavity. Double-glazed door with tempered glass. Cavity lighting. Unique air-flow channel system.

Cooking cycles: air convection, convection with 5 stage humidification. Max. temperature of 300°C.

Functional level: base, manual.

"Cross-wise" pan rack suitable for 10x2/1GN or 20x1/1GN. The pan rack, fixed, can be converted into a roll-in rack by using an optional kit. Supplied with n. 1 pan rack, 60mm pitch (made up of n. 2 side hangers).

Main Features

- Racks can be easily removed without the need for special tools.
- Unique air-flow system guarantees perfect distribution of heat throughout the oven cavity.
- Maximum temperature of 300°C.
- Food temperature probe available as accessory.
- Rapid cooling of oven cavity.
- Halogen lighting and "crosswise" pan supports allow clear and unobstructed view of the products being cooked.
- 5 Stage humidification control, to ensure perfect pastries and succulent roasts.
- Meets the requirements of CE, VDE and DVGW for safety.

Construction

- Access to all components from the front.
- Stainless steel oven cavity with rounded corners.
- Double-glazed door with tempered glass.
- External access door for electrical connections.
- All connections made on the left side below the oven.
- Integrated drain outlet.
- IPx4 water protection.

Included Accessories

- 1 of 60mm pitch side hangers for 10x2/1GN oven (included with the oven) PNC 922123

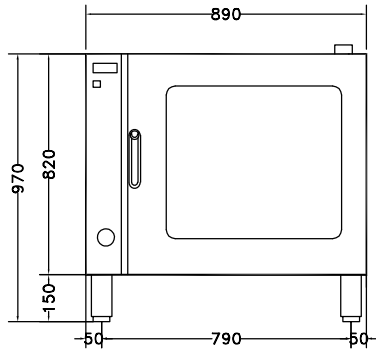
Optional Accessories

- Water softener with salt for ovens with automatic regeneration of resin PNC 921305
- Resin sanitizer for water softener (921305) PNC 921306
- Probe for ovens 10x2/1GN PNC 921703
- Guide kit for 1/1GN drain pan PNC 921713
- Pair of grids for whole chicken (8 per grid - 1,2kg each), GN 1/1 PNC 922036
- Base for ovens 10x2/1GN PNC 922103
- Shelf guides for 10x2/1GN, oven base PNC 922107
- Cupboard stand for oven 10x2/1GN PNC 922110
- Hot cupboard stand for convection oven 10x2/1GN PNC 922113
- 80mm pitch side hangers for 10x2/1GN oven PNC 922117

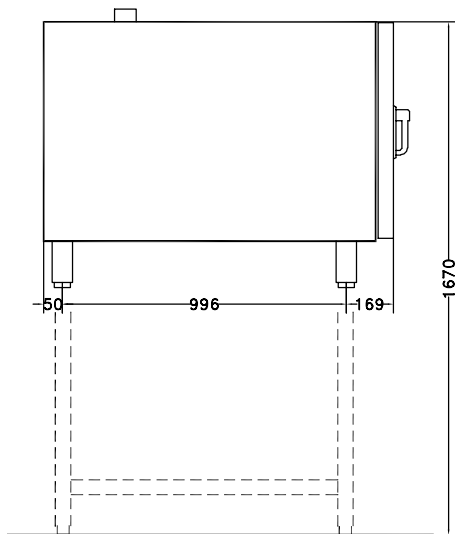
APPROVAL: _____

- 60mm pitch side hangers for 10x2/1GN oven (included with the oven) PNC 922123
- Feet for ovens 6x1/1GN, 10x1/1 and 2/1GN PNC 922127
- Trolley for 10x1/1GN and 10x2/1GN roll-in rack PNC 922128
- Retractable hose reel spray unit PNC 922170
- External side spray unit (needs to be mounted outside and includes support to be mounted on the oven) PNC 922171
- Pair of baking tray support PNC 922173
- Pair of AISI 304 stainless steel grids, GN 2/1 PNC 922175
- Fat filter for 10 1/1 and 2/1 GN combi steamers (gas and electric) and convection ovens (electric) PNC 922178
- Kit to convert to 10x2/1GN roll-in rack PNC 922202
- Pair of frying baskets PNC 922239
- Grid for whole chicken (8 per grid - 1,2kg each), GN 1/1 PNC 922266
- Kit universal skewer rack and 6 short skewers for Lengthwise and Crosswise ovens PNC 922325
- Universal skewer rack PNC 922326
- 6 short skewers PNC 922328
- Smoker for lengthwise and crosswise oven (4 kinds of smoker wood chips are available on request) PNC 922338

Front

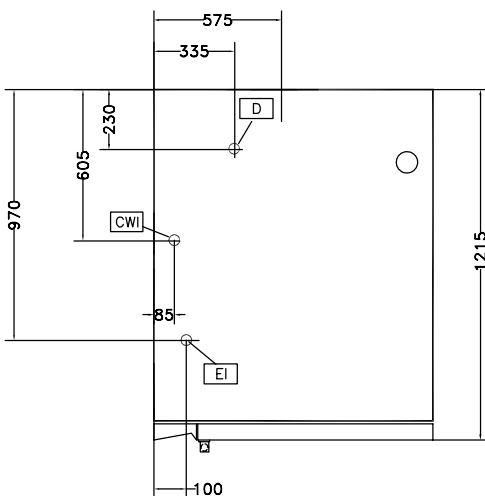


Side



CWI1 = Cold Water inlet 1 (cleaning)
 CWI2 = Cold Water Inlet 2 (steam generator)
 D = Drain
 EI = Electrical inlet (power)

Top



Electric

Supply voltage:
 260707 (FCE102) 380-400V/3N ph/50 Hz
Auxiliary: 0.5 kW
Electrical power max.: 24.5 kW

Capacity:

Shelf capacity: 10

Key Information:

External dimensions, Width: 890 mm
External dimensions, Height: 970 mm
External dimensions, Depth: 1215 mm
Net weight: 147 kg
Height adjustment: 80/0 mm
Functional level: Basic
Type of grids: 2/1 Gastronorm
Runners pitch: 60 mm
Cooking cycles - air-convection: 300 °C

Included Accessories

- 1 of 60mm pitch side hangers for 10x2/1GN oven (included with the oven) PNC 922123

Optional Accessories

- Water softener with salt for ovens with automatic regeneration of resin PNC 921305
- Resin sanitizer for water softener (921305) PNC 921306
- Probe for ovens 10x2/1GN PNC 921703
- Guide kit for 1/1GN drain pan PNC 921713
- Pair of grids for whole chicken (8 per grid - 1,2kg each), GN 1/1 PNC 922036
- Base for ovens 10x2/1GN PNC 922103
- Shelf guides for 10x2/1GN, oven base PNC 922107
- Cupboard stand for oven 10x2/1GN PNC 922110
- Hot cupboard stand for convection oven 10x2/1GN PNC 922113
- 80mm pitch side hangers for 10x2/1GN oven PNC 922117
- 60mm pitch side hangers for 10x2/1GN oven (included with the oven) PNC 922123
- Feet for ovens 6x1/1GN, 10x1/1 and 2/1GN PNC 922127
- Trolley for 10x1/1GN and 10x2/1GN roll-in rack PNC 922128
- Retractable hose reel spray unit PNC 922170
- External side spray unit (needs to be mounted outside and includes support to be mounted on the oven) PNC 922171
- Pair of baking tray support PNC 922173
- Pair of AISI 304 stainless steel grids, GN 2/1 PNC 922175
- Fat filter for 10 1/1 and 2/1 GN combi steamers (gas and electric) and convection ovens (electric) PNC 922178
- Kit to convert to 10x2/1GN roll-in rack PNC 922202
- Pair of frying baskets PNC 922239
- Grid for whole chicken (8 per grid - 1,2kg each), GN 1/1 PNC 922266
- Kit universal skewer rack and 6 short skewers for Lengthwise and Crosswise ovens PNC 922325
- Universal skewer rack PNC 922326
- 6 short skewers PNC 922328

- Smoker for lengthwise and crosswise oven (4 kinds of smoker wood chips are available on request) PNC 922338