



**Electrolux**  
PROFESSIONAL

## Modular Cooking Range Line 900XP 6-Burner Gas Range on Large Gas Oven

ITEM # \_\_\_\_\_

MODEL # \_\_\_\_\_

NAME # \_\_\_\_\_

SIS # \_\_\_\_\_

AIA # \_\_\_\_\_

**Electrolux**  
PROFESSIONAL

Modular Cooking Range Line  
900XP 6-Burner Gas Range on Large Gas Oven



391015 (E9GCGL6CLO)

6-Burner (2x10 kW, 4x6 kW)  
gas Range on large gas  
Oven (12 kW)

### Short Form Specification

Item No. \_\_\_\_\_

To be installed on stainless steel feet with height adjustment up to 50 mm. High efficiency flower flame burners with continuous power regulation and optimized combustion. Flame failure device as standard on burners to protect against accidental extinguishing. Oven chamber with 3 levels of runners to accommodate shelves (wxd 972x687mm). Ribbed, cast-iron oven base plate. Exterior panels of unit in stainless steel with Scotch Brite finish. Pan supports in heavy duty cast iron. Extra strength work top in heavy duty 2 mm Stainless steel. Right-angled side edges to allow flush-fitting junction between units.

### Main Features

- Unit to be mounted on stainless steel feet with height adjustment up to 50 mm. Unit can be easily mounted on cantilever systems.
- The four 6 kW and two 10 kW high efficiency burners are available in two different sizes to suit high performing cooking requirements of the most demanding customers:
  - 60 mm burners with continuous power regulation from 1,5 to 6 kW
  - 100 mm burners with continuous power regulation from 2.2 kW to 10 kW
- Gas appliance supplied for use with natural or LPG gas, conversion jets supplied as standard.
- Large sized pan support in cast iron (stainless steel as option) with long center fins to allow the use of the largest down to the smallest pans.
- Burners with optimized combustion.
- Flame failure device on each burner protects against gas leakage when accidental extinguishing of the flame occurs.
- Protected pilot light.
- Base compartment consists of a large gas heated standard oven with stainless steel burners and self stabilizing flame positioned beneath the base plate. Oven chamber to have 3 levels of runners to accommodate 2/1 GN shelves (2 steam pans) and ribbed cast iron base plate.
- Oven thermostat adjustable from 120 °C to 280 °C.
- 40 mm thick oven door for heat insulation.
- The special design of the control knob system guarantees against water infiltration.
- IPX5 water protection.

### Construction

- Unit is 930 mm deep to give a larger working surface area.
- All exterior panels in Stainless Steel with Scotch Brite finishing.
- AISI 304 stainless steel worktop, 2mm thick.
- Model has right-angled side edges to allow flush fitting joints between units, eliminating gaps and possible dirt traps.

### Included Accessories

- 1 of Chrome grid for large oven PNC 206204

### Optional Accessories

- Junction sealing kit PNC 206086

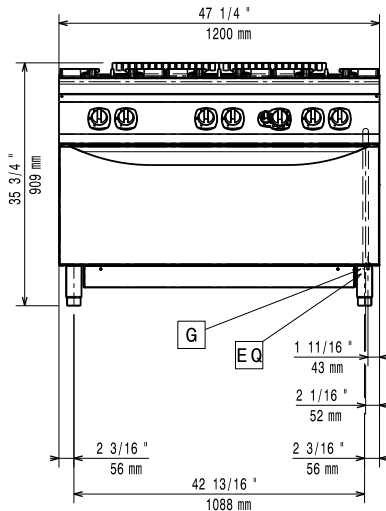
APPROVAL: \_\_\_\_\_



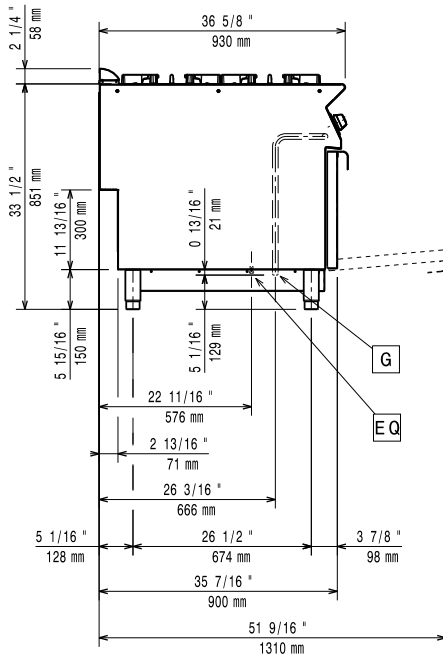
Experience the Excellence  
[www.electroluxprofessional.com](http://www.electroluxprofessional.com)

- Draught diverter, 150 mm diameter  PNC 206132
- Matching ring for flue condenser, 150 mm diameter  PNC 206133
- Kit 4 wheels - 2 swivelling with brake - it is mandatory to install Base support and wheels  PNC 206135
- Flanged feet kit  PNC 206136
- Frontal kicking strip for concrete installation, 1200mm  PNC 206151
- Frontal kicking strip for concrete installation, 1600mm  PNC 206152
- Single burner radiant plate for pan support  PNC 206170
- Single burner ribbed plate for direct cooking - fits frontal burners only  PNC 206172
- Frontal kicking strip, 1200mm (not for refr-freezer base)  PNC 206178
- Frontal kicking strip, 1600mm (not for refr-freezer base)  PNC 206179
- Pair of side kicking strips (not for refr-freezer base)  PNC 206180
- 2 panels for service duct for single installation  PNC 206181
- 2 panels for service duct for back to back installation  PNC 206202
- Chrome grid for large oven  PNC 206204
- Kit 4 feet for concrete installation (not for 900 line free standing grill)  PNC 206210
- Flue condenser for 1 module, 150 mm diameter  PNC 206246
- Water column with swivel arm (water column extension not included)  PNC 206289
- Water column extension for 900 line  PNC 206290
- Stainless steel double grid for 2 burners  PNC 206298
- Chimney upstand, 1200mm  PNC 206306
- Back handrail 1200mm, Marine  PNC 206309
- Wok pan support for open burners (700/900)  PNC 206363
- Base support for feet or wheels - 1200mm (700/900)  PNC 206368
- Base support for feet or wheels - 1600mm (700/900)  PNC 206369
- Base support for feet or wheels - 2000mm (700/900)  PNC 206370
- Rear paneling - 1200mm (700/900)  PNC 206376
- Kit town gas nozzles (G150) for 900 gas ranges on gas oven  PNC 206385
- Chimney grid net, 400mm (700XP/900)  PNC 206400
- Side handrail-right/left hand (900XP)  PNC 216044
- Frontal handrail, 1200mm  PNC 216049
- Frontal handrail, 1600mm  PNC 216050
- 2 side covering panels for free standing appliances  PNC 216134
- Large handrail - portioning shelf, 400mm  PNC 216185
- Large handrail - portioning shelf, 800mm  PNC 216186
- Pressure regulator for gas units  PNC 927225

Front

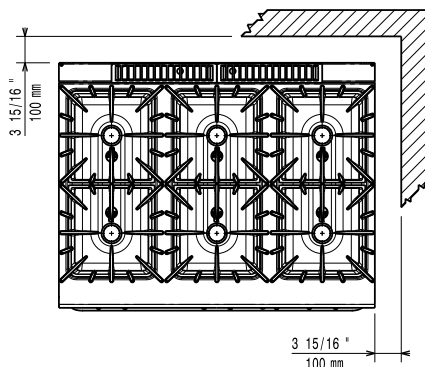


Side



G = Gas connection

Top



## Gas

<b>Gas Power:</b>	<b>391015 (E9GCGL6CL0)</b>	56 kW
<b>Standard gas delivery:</b>		Natural Gas G20 (20mbar)
<b>Gas Type Option:</b>		LPG; Natural Gas
<b>Gas Inlet:</b>		1/2"

## Key Information:

<b>Front Burners Power:</b>	6 - 6 kW
<b>Back Burners Power:</b>	10 - 10 kW
<b>Middle Burners Power:</b>	6 - 0/6 - 0 kW
<b>Back Burners Dimension - mm</b>	Ø 100 Ø 100
<b>Front Burners Dimension - mm</b>	Ø 60 Ø 60
<b>Middle Burners Dimension - mm</b>	Ø 60 Ø 60
<b>Oven working Temperature:</b>	120 °C MIN; 280 °C MAX

<b>Oven Cavity Dimensions (width):</b>	1000 mm
<b>Oven Cavity Dimensions (height):</b>	380 mm
<b>Oven Cavity Dimensions (depth):</b>	700 mm
<b>External dimensions, Width:</b>	1200 mm
<b>External dimensions, Height:</b>	850 mm
<b>External dimensions, Depth:</b>	930 mm
<b>Net weight:</b>	200 kg
<b>Shipping weight:</b>	219 kg
<b>Shipping height:</b>	1070 mm
<b>Shipping width:</b>	1020 mm
<b>Shipping depth:</b>	1300 mm
<b>Shipping volume:</b>	1.42 m <sup>3</sup>
<b>Certification group:</b>	N9CG

If appliance is set up or next to or against temperature sensitive furniture or similar, a safety gap of approximately 150 mm should be maintained or some form of heat insulation fitted.