

Modular Cooking Range Line 900XP 400 mm Open Base 1/2 Module

ITEM # _____

MODEL # _____

NAME # _____

SIS # _____

AIA # _____



391153 (E9BAND0000)

 Open Base Cupboard, 1/2
module

Short Form Specification

Item No. _____

To be installed below other 900XP top units in island type installations with operations from one side. Open base to store pots, pans, sheet pans etc. Body and internal structure of unit entirely in stainless steel. Delivered with 150 mm height adjustable feet.

Main Features

- Unit can be easily installed below other 900 line top models.
- Unit delivered with 50 mm height adjustable feet in Stainless steel.
- Open base compartment for storage of pots, pans, sheet pans, etc.
- Doors with handles, drawers, heating kits and runners for GN containers can be ordered separately.

Construction

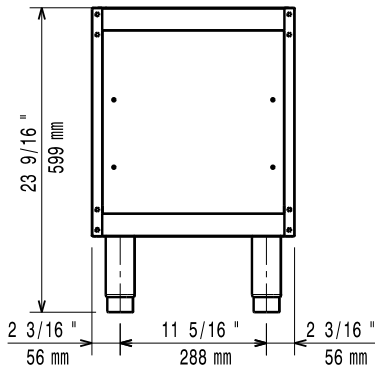
- Constructed in Stainless steel with Scotch Brite finish to meet the highest hygiene standards.
- Unit is 930 mm deep to give a larger working surface area.

APPROVAL: _____

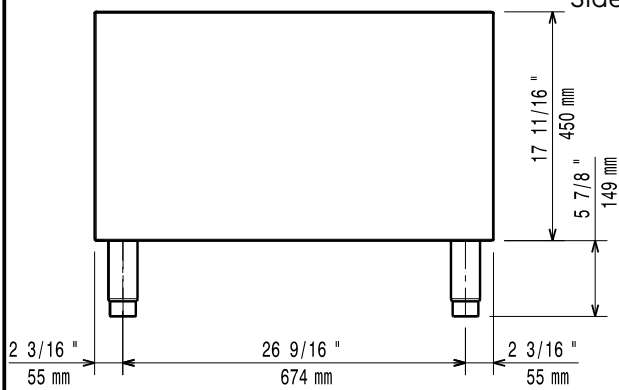
Optional Accessories

- Kit 4 wheels - 2 swivelling with brake - it is mandatory to install Base support and wheels PNC 206135
- Flanged feet kit PNC 206136
- 2 supports runners for open base cupboard 400mm for GN1/1 PNC 206145
- Frontal kicking strip for concrete installation, 400mm PNC 206147
- Frontal kicking strip for concrete installation, 800mm PNC 206148
- Frontal kicking strip for concrete installation, 1000mm PNC 206150
- Frontal kicking strip for concrete installation, 1200mm PNC 206151
- Frontal kicking strip for concrete installation, 1600mm PNC 206152
- Frontal kicking strip, 400mm (not for refr-freezer base) PNC 206175
- Frontal kicking strip, 800mm (not for refr-freezer base) PNC 206176
- Frontal kicking strip, 1000mm (not for refr-freezer base) PNC 206177
- Frontal kicking strip, 1200mm (not for refr-freezer base) PNC 206178
- Frontal kicking strip, 1600mm (not for refr-freezer base) PNC 206179
- Pair of side kicking strips (not for refr-freezer base) PNC 206180
- 2 panels for service duct for single installation PNC 206181
- 2 panels for service duct for back to back installation PNC 206202
- Kit 4 feet for concrete installation (not for 900 line free standing grill) PNC 206210
- Electric heating kit for cupboards PNC 206259
- 2 drawers for open base cupboards, 100mm height PNC 206334
- Door for open base cupboard PNC 206350
- 2 DRAWERS (H=100MM) BASE 900 LINE-ZAN PNC 206361
- Base support for feet or wheels - 400mm (700/900) PNC 206366
- Base support for feet or wheels - 800mm (700/900) PNC 206367
- Base support for feet or wheels - 1200mm (700/900) PNC 206368
- Base support for feet or wheels - 1600mm (700/900) PNC 206369
- Base support for feet or wheels - 2000mm (700/900) PNC 206370
- Rear paneling - 600mm (700/900XP) PNC 206373
- Rear paneling - 800mm (700/900) PNC 206374
- Rear paneling - 1000mm (700/900) PNC 206375
- Rear paneling - 1200mm (700/900) PNC 206376
- Base support for feet/wheels (600mm) PNC 206431
- 2 side covering panels for free standing appliances PNC 216134

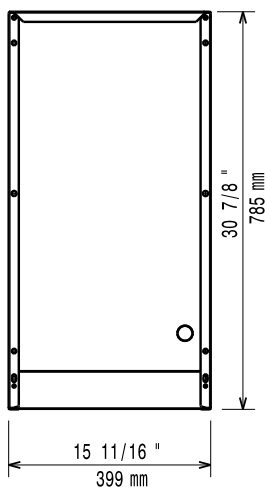
Front



Side



Top



Key Information:

External dimensions, Width:	
391153 (E9BAND0000)	400 mm
External dimensions, Height:	600 mm
External dimensions, Depth:	785 mm
Net weight:	22 kg