

## Libero Line Series Infrared, 2 zones, side by side

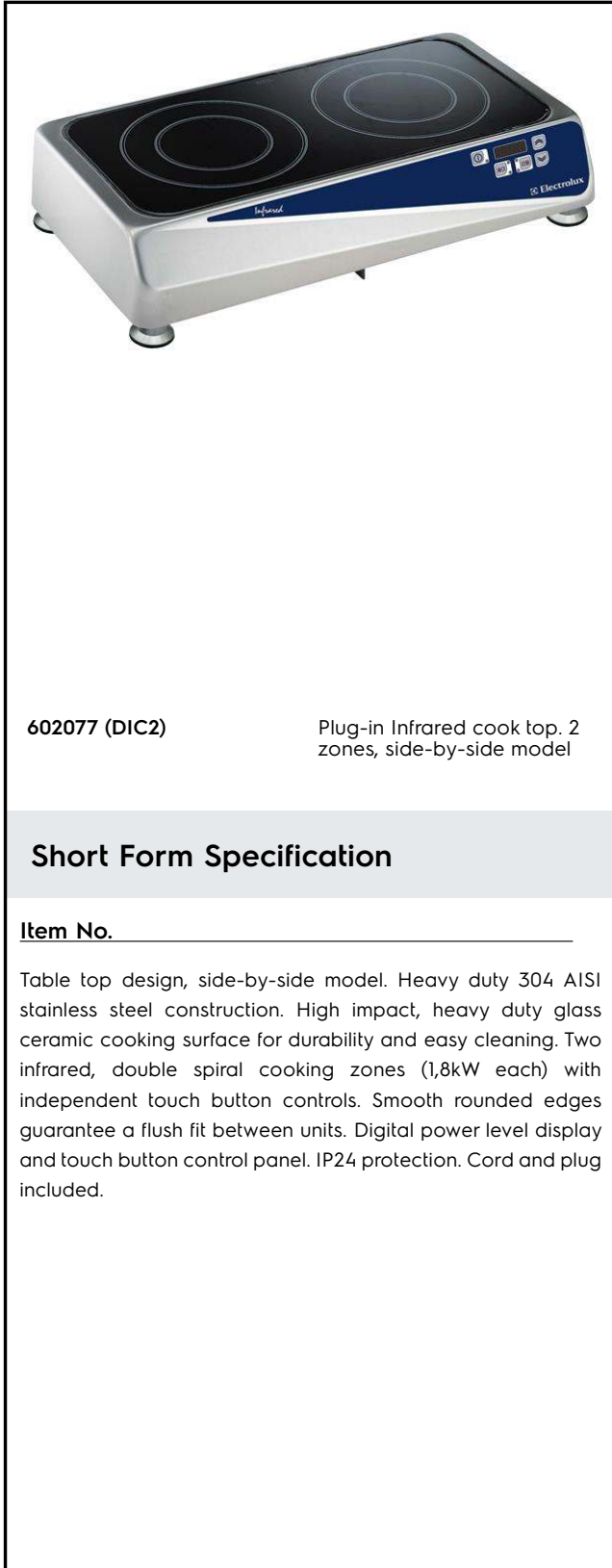
ITEM # \_\_\_\_\_

MODEL # \_\_\_\_\_

NAME # \_\_\_\_\_

SIS # \_\_\_\_\_

AIA # \_\_\_\_\_



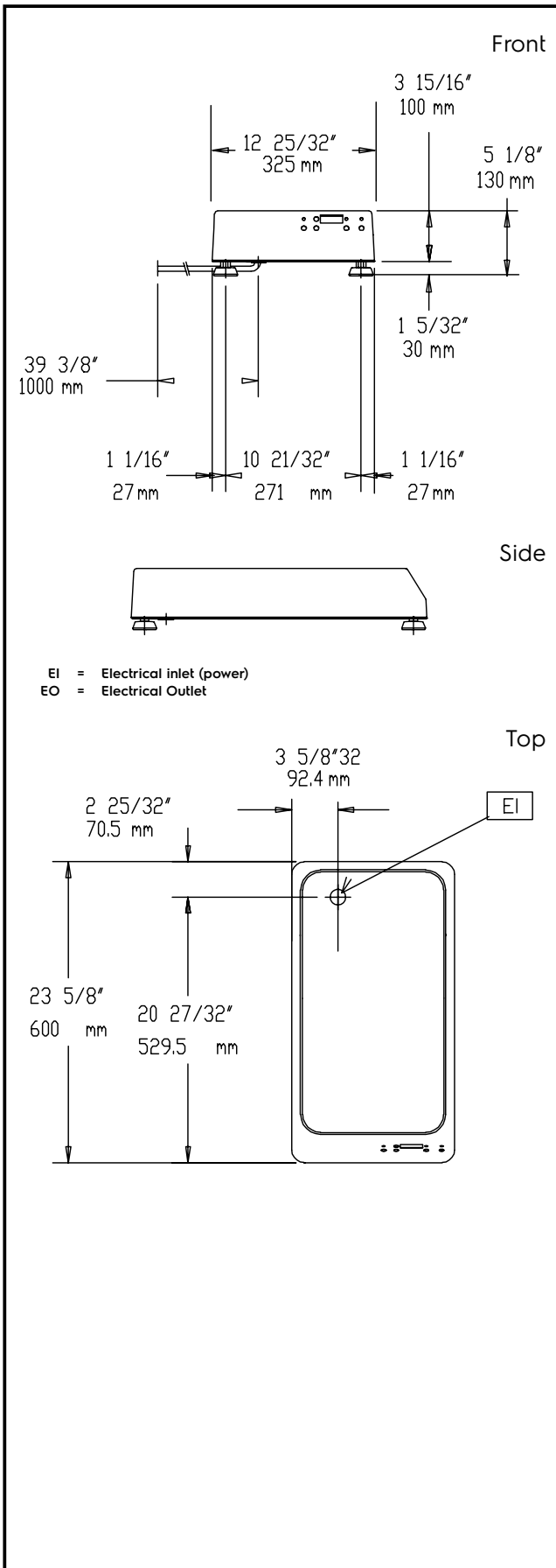
### Main Features

- Table top design, side by side model.
- Heavy duty AISI 304 Stainless steel construction.
- Sealed heavy duty glass-ceramic cooking surface, 4 mm in thickness.
- Two independently controlled infrared cooking zones with touch button control panel.
- Digital power level display (from 0 to 9).
- Precise temperature control that helps maintain and quickly reach the desired temperature.
- IP24 protected.
- Cord and plug included.
- 4 adjustable feet.
- Suitable for pot and pan with diameter of 140-250mm.

### Optional Accessories

- Stainless steel universal frying pan with stainless steel handle (diam. 200mm) suitable for induction and all other heating sources PNC 653596
- Universal frying pan with stainless steel handle (diam. 240mm) suitable for induction and all other heating sources PNC 653597
- Universal frying pan with stainless steel handle (diam. 280mm) suitable for induction and all other heating sources PNC 653598
- Support frame for GN containers for infrared cook top, front-to-back PNC 653612
- Universal frying pan with smooth plate suitable for infrared cookers PNC 653615
- Universal frying pan with ribbed plate suitable for infrared cookers PNC 653616

APPROVAL: \_\_\_\_\_



### Electric

Supply voltage:  
602077 (DIC2)

220-240 V/1N ph/50/60 Hz

### Key Information:

Front Plates Power:	1.8 - 1.8 kW
External dimensions, Width:	600 mm
External dimensions, Height:	135 mm
External dimensions, Depth:	325 mm
Net weight:	12 kg
Plug Type	1phase: Schuko; 3phase: CEE