

Libero Line Series Induction, 2 zones, side by side

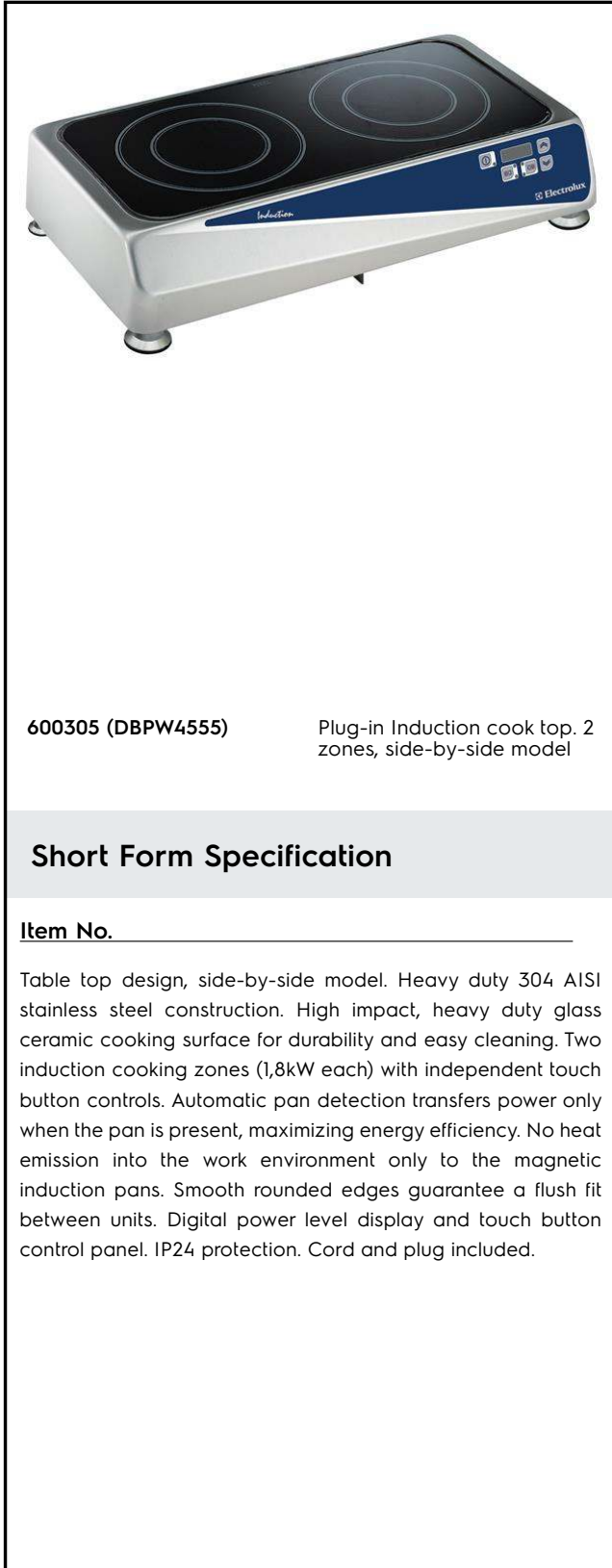
ITEM # _____

MODEL # _____

NAME # _____

SIS # _____

AIA # _____


600305 (DBPW4555)

Plug-in Induction cook top. 2 zones, side-by-side model

Short Form Specification

Item No. _____

Table top design, side-by-side model. Heavy duty 304 AISI stainless steel construction. High impact, heavy duty glass ceramic cooking surface for durability and easy cleaning. Two induction cooking zones (1,8kW each) with independent touch button controls. Automatic pan detection transfers power only when the pan is present, maximizing energy efficiency. No heat emission into the work environment only to the magnetic induction pans. Smooth rounded edges guarantee a flush fit between units. Digital power level display and touch button control panel. IP24 protection. Cord and plug included.

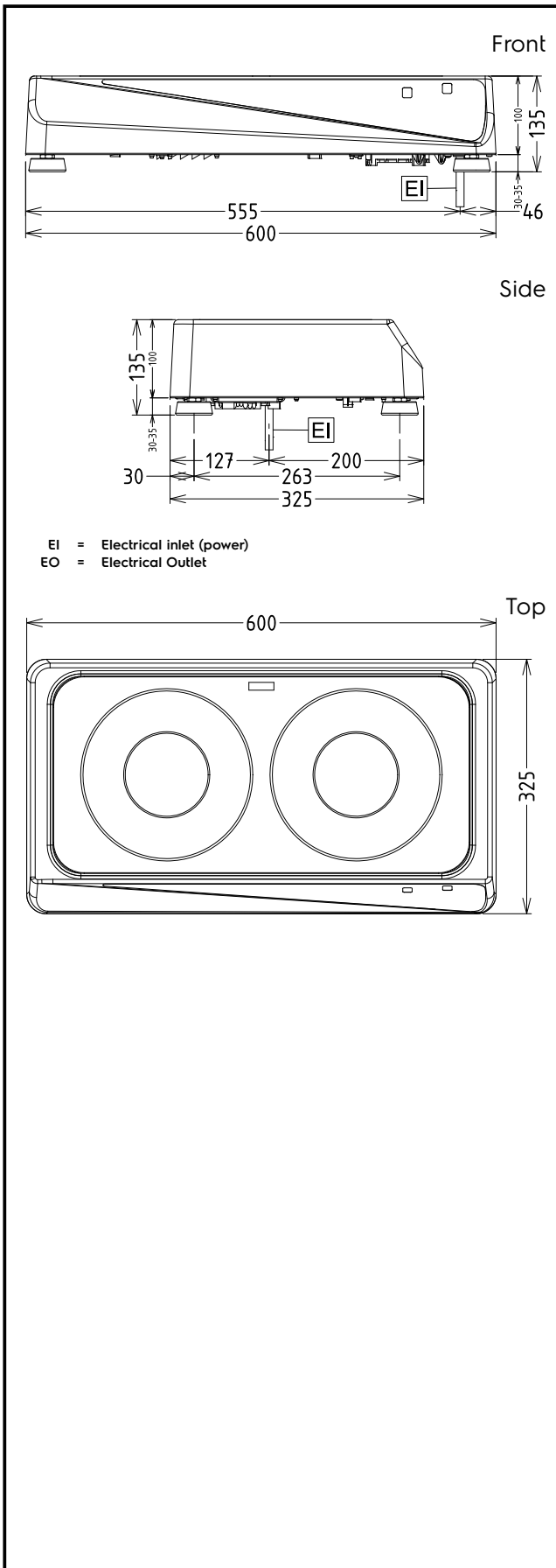
APPROVAL: _____

Main Features

- Table top design, side by side model.
- Heavy duty AISI 304 Stainless steel construction.
- Sealed heavy duty glass-ceramic cooking surface, 4 mm in thickness.
- Two independently controlled induction cooking zones with touch button control panel.
- Digital power level display.
- Automatic pan detection to transfer power only when pan is present.
- Rapid heat transfer directly to the pan, no heat is dispersed into the environment.
- IP24 protected.
- Cord and plug included.
- 4 adjustable feet.
- Suitable for pot and pan with diameter of 140-250mm.

Optional Accessories

- Stainless steel universal frying pan with stainless steel handle (diam. 200mm) suitable for induction and all other heating sources PNC 653596
- Universal frying pan with stainless steel handle (diam. 240mm) suitable for induction and all other heating sources PNC 653597
- Universal frying pan with stainless steel handle (diam. 280mm) suitable for induction and all other heating sources PNC 653598
- Universal frying pan with smooth plate suitable for induction cookers PNC 653617
- Universal frying pan with ribbed plate suitable for induction cookers PNC 653618



Electric

Supply voltage:	
600305 (DBPW4555)	230 V/1N ph/50/60 Hz
Total Watts:	3.6 kW
Minimum Circuit Ampacity (MCA):	16A

Key Information:

Front Plates Power:	1.8 - 1.8 kW
External dimensions, Width:	600 mm
External dimensions, Height:	135 mm
External dimensions, Depth:	325 mm
Net weight:	12 kg
Plug Type:	1phase: Schuko; 3phase: CEE