

Libero Line Series Single Zone Induction Wok

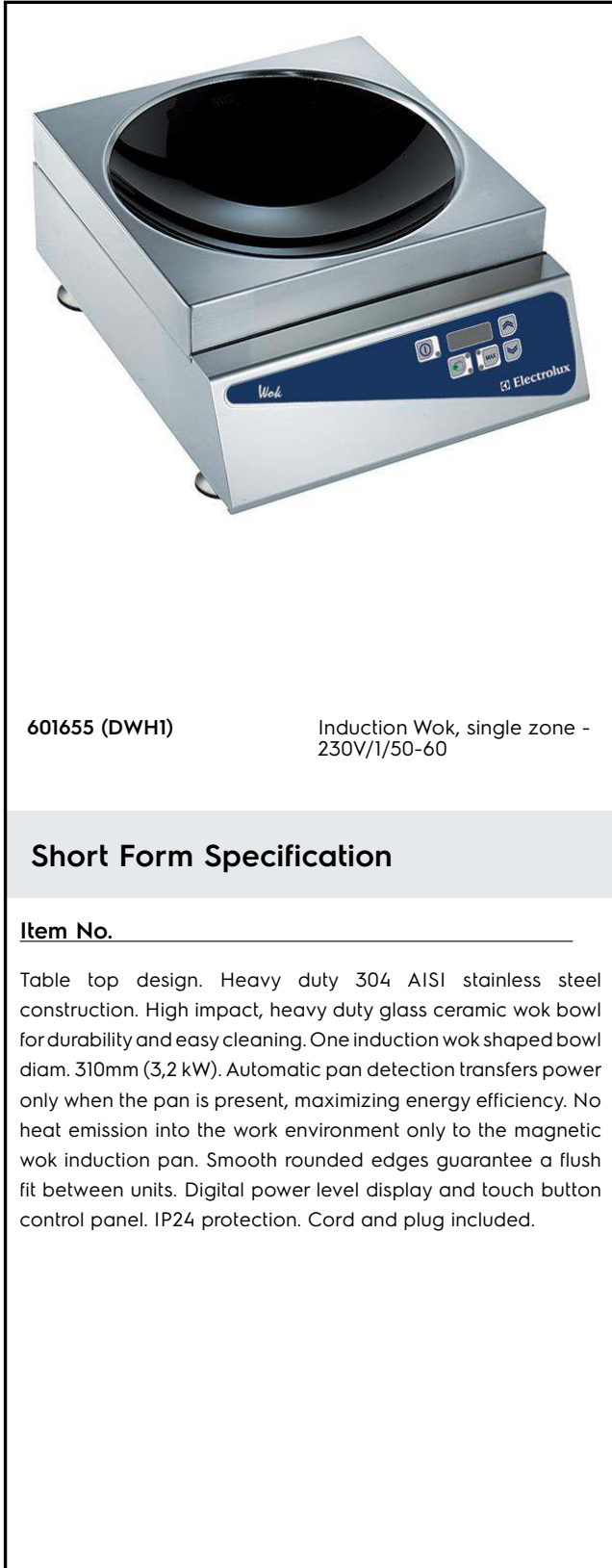
ITEM # _____

MODEL # _____

NAME # _____

SIS # _____

AIA # _____


601655 (DWH1)

 Induction Wok, single zone -
 230V/1/50-60

Short Form Specification

Item No.

Table top design. Heavy duty 304 AISI stainless steel construction. High impact, heavy duty glass ceramic wok bowl for durability and easy cleaning. One induction wok shaped bowl diam. 310mm (3,2 kW). Automatic pan detection transfers power only when the pan is present, maximizing energy efficiency. No heat emission into the work environment only to the magnetic wok induction pan. Smooth rounded edges guarantee a flush fit between units. Digital power level display and touch button control panel. IP24 protection. Cord and plug included.

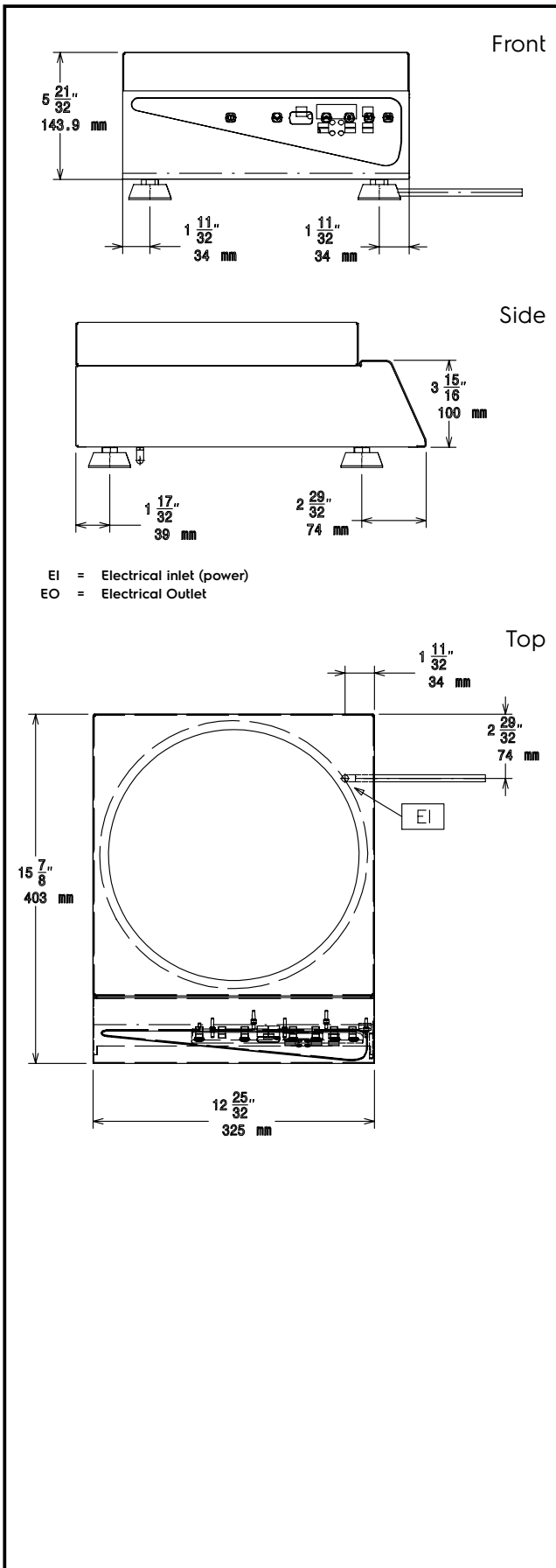
Main Features

- One induction wok shaped bowl.
- Heavy duty, one-piece seamless, 304 AISI stainless steel construction.
- High impact, heavy duty glass-ceramic wok bowl for durability and easy cleaning.
- Fits Induction Ready Wok Pan.
- Automatic pan detection to transfer power only when pan is present.
- No heat emission into the work environment only to the magnetic wok induction pan.
- Smooth rounded edges guarantee a flush fit between units.
- Digital power level display and touch button control panel.
- IPx4 water protection.
- Cord and plug included.
- Table top design, single zone model.

Optional Accessories

- Induction Wok pan with stainless PNC steel handle (diam. 350mm) 653595 □

APPROVAL: _____



Electric

Supply voltage:

601655 (DWH1)

230 V/1N ph/50/60 Hz

Total Watts:

3.2 kW

Key Information:

External dimensions, Width: 325 mm

External dimensions, Height: 185 mm

External dimensions, Depth: 400 mm

Net weight: 12 kg

Top area width: 400 mm

Top area depth: 397 mm

Plug Type: 1phase: Schuko; 3phase: CEE