

## Libero Line Series Infrared, 2 zones, front to back

ITEM # \_\_\_\_\_

MODEL # \_\_\_\_\_

NAME # \_\_\_\_\_

SIS # \_\_\_\_\_

AIA # \_\_\_\_\_


**602080 (DIL2)**

Infrared, 2 zones, front to back - 230V/1/50-60

### Short Form Specification

**Item No.** \_\_\_\_\_

Table top design, front-to-back model. Heavy duty 304 AISI stainless steel construction. High impact, heavy duty glass ceramic cooking surface for durability and easy cleaning. Two infrared, double spiral cooking zones (1,8kW each) with independent touch button controls. Smooth rounded edges guarantee a flush fit between units. Digital power level display and touch button control panel. IP24 protection. Cord and plug included.

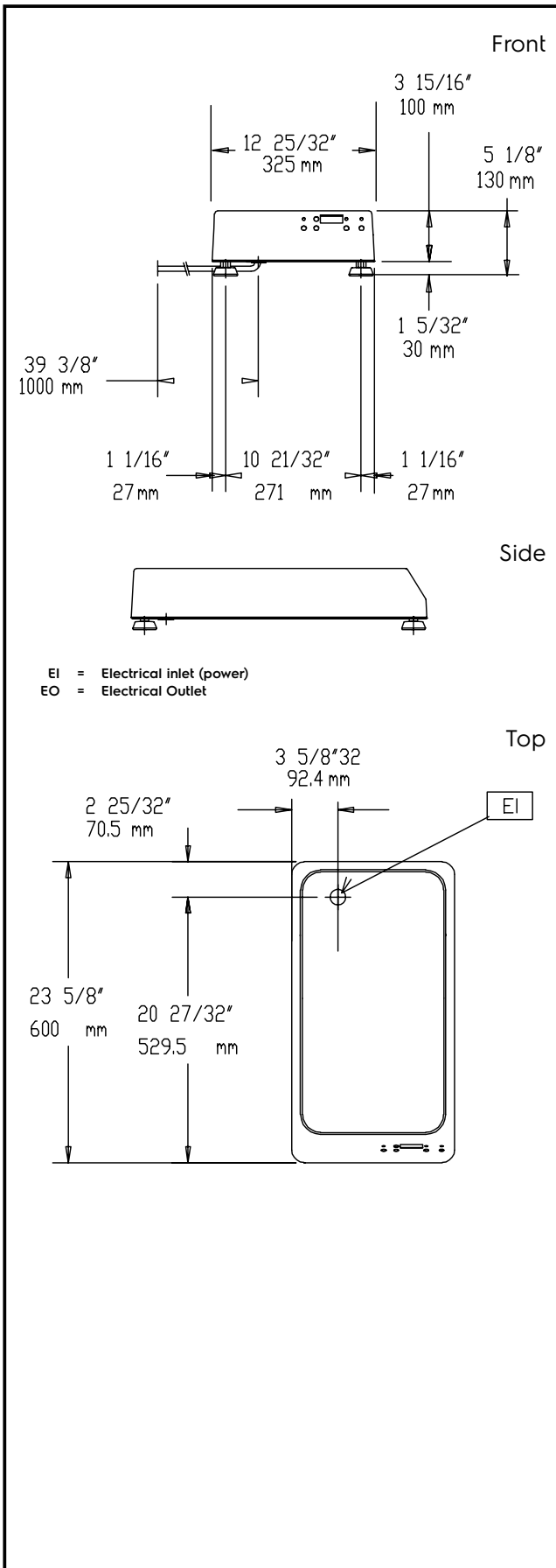
**APPROVAL:** \_\_\_\_\_

### Main Features

- Table top design, front-to-back model.
- Heavy duty AISI 304 Stainless steel construction.
- Sealed heavy duty glass-ceramic cooking surface, 4 mm in thickness.
- Two independently controlled infrared cooking zones with touch button control panel.
- Digital power level display (from 0 to 9).
- Precise temperature control that helps maintain and quickly reach the desired temperature.
- IP24 protected.
- Cord and plug included.
- 4 adjustable feet.
- Suitable for pot and pan with diameter of 140-250mm.

### Optional Accessories

- Stainless steel universal frying pan with stainless steel handle (diam. 200mm) suitable for induction and all other heating sources PNC 653596
- Universal frying pan with stainless steel handle (diam. 240mm) suitable for induction and all other heating sources PNC 653597
- Universal frying pan with stainless steel handle (diam. 280mm) suitable for induction and all other heating sources PNC 653598
- Support frame for GN containers for infrared cook top, front-to-back PNC 653612
- Universal frying pan with smooth plate suitable for infrared cookers PNC 653615
- Universal frying pan with ribbed plate suitable for infrared cookers PNC 653616


**Electric**
**Supply voltage:**  
 602080 (DIL2)

220-240 V/1N ph/50/60 Hz

**Key Information:**
**Front Plates Power:** 1.8 - 0 kW

**Back Plates Power:** 1.8 - kW

**External dimensions, Width:** 325 mm

**External dimensions, Height:** 135 mm

**External dimensions, Depth:** 600 mm

**Net weight:** 12 kg

**Plug Type:**

1phase: Schuko; 3phase: CEE