



**Electrolux**  
PROFESSIONAL

## Libero Line Series Griddle, 2 zones, front to back

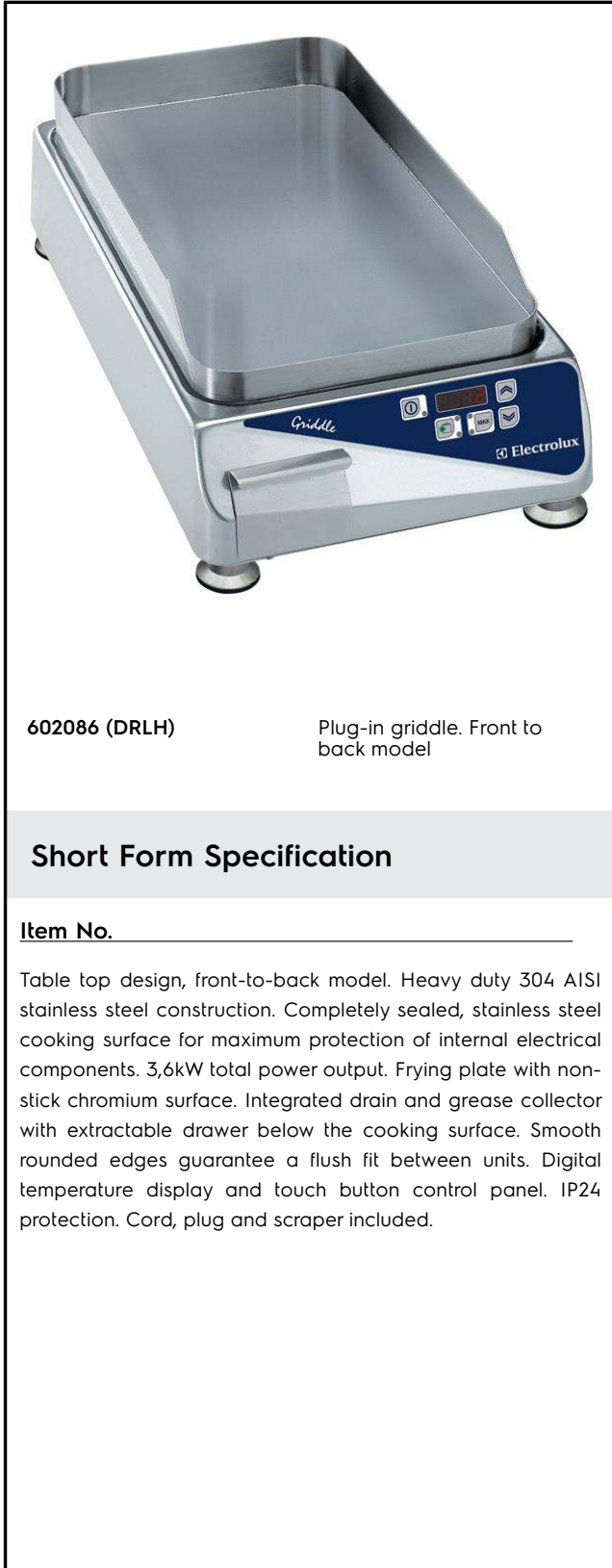
ITEM # \_\_\_\_\_

MODEL # \_\_\_\_\_

NAME # \_\_\_\_\_

SIS # \_\_\_\_\_

AIA # \_\_\_\_\_



602086 (DRLH)

Plug-in griddle. Front to back model

### Short Form Specification

Item No. \_\_\_\_\_

Table top design, front-to-back model. Heavy duty 304 AISI stainless steel construction. Completely sealed, stainless steel cooking surface for maximum protection of internal electrical components. 3,6kW total power output. Frying plate with non-stick chromium surface. Integrated drain and grease collector with extractable drawer below the cooking surface. Smooth rounded edges guarantee a flush fit between units. Digital temperature display and touch button control panel. IP24 protection. Cord, plug and scraper included.

APPROVAL: \_\_\_\_\_

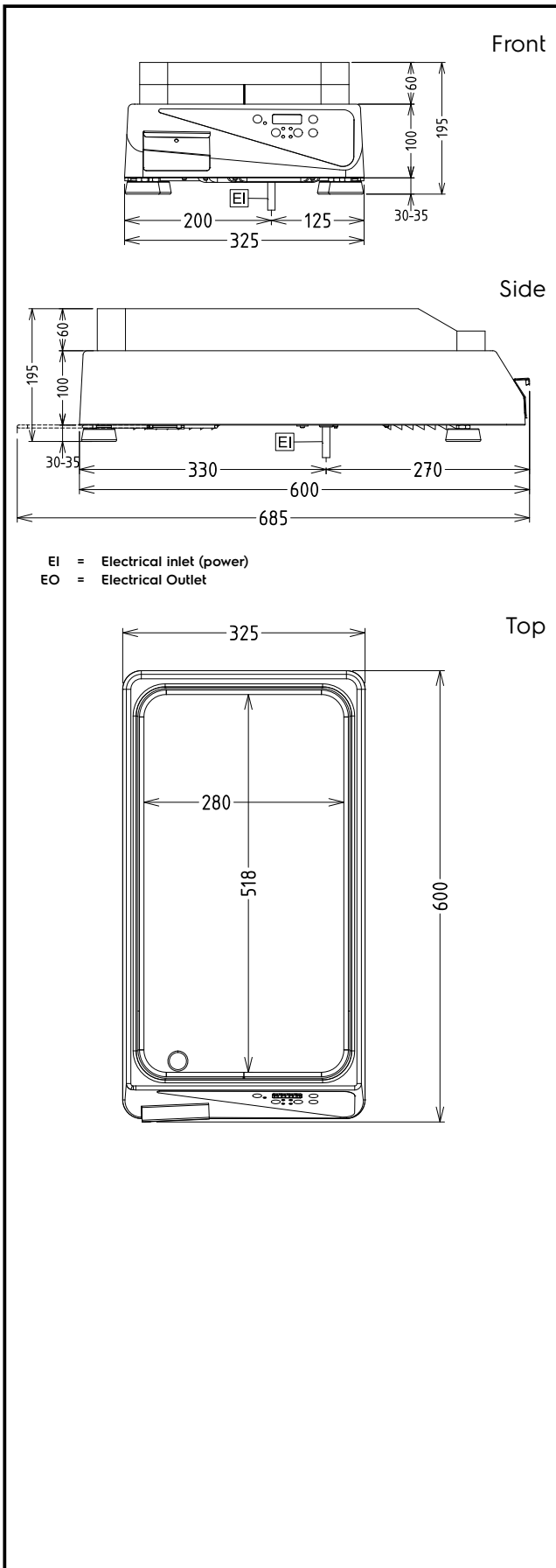
### Main Features

- Table top design, front-to-back model.
- Heavy duty, one-piece seamless, 304 AISI stainless steel construction.
- Sealed stainless steel cooking surface, 10 mm in thickness for maximum protection of internal electrical components.
- Frying plate with non-stick chromium surface.
- Digital temperature display and touch button control panel.
- Integrated drain and grease collector with extractable drawer below the cooking surface.
- IP24 protected.
- Cord and plug included.
- 4 adjustable feet.



Experience the Excellence  
[www.electroluxprofessional.com](http://www.electroluxprofessional.com)

Libero Line Series  
Griddle, 2 zones, front to back



### Electric

Supply voltage:

602086 (DRLH) 220-240 V/1N ph/50/60 Hz

Total Watts:

3.6 kW

### Key Information:

Working Temperature MIN: 40 °C

Working Temperature MAX: 265 °C

External dimensions, Width: 325 mm

External dimensions, Height: 195 mm

External dimensions, Depth: 600 mm

Net weight: 18 kg

Plug Type 1phase: Schuko; 3phase: CEE

The use of the provided grill scraper is recommended to clean the cooking surface between each batch of food cooked.