

Modular Cooking Range Line 700XP 4-Burner Gas Boiling Top on Open Base 800mm

ITEM # _____

MODEL # _____

NAME # _____

SIS # _____

AIA # _____


371178 (E7GCGH4CO0)

 4-Burner (5,5 kW each) gas
 Range on Open Base

Short Form Specification

Item No.

High efficiency flower flame burners with flame regulator and protected pilot light. Flame failure device as standard on burners to protect against accidental extinguishing. Exterior panels in stainless steel with Scotch Brite finish. Pan supports in heavy duty cast iron. One piece pressed work top in 1.5 mm thick stainless steel. Right-angled side edges to allow flush-fitting junction between units.

Open base to store pots, pans, sheet pans etc. Constructed in stainless steel with Scotch Brite finish. Delivered with 50 mm height adjustable feet.

Main Features

- Unit can be easily installed below other 700 line top models.
- Unit delivered with 50 mm height adjustable feet in Stainless steel.
- Open base compartment for storage of pots, pans, sheet pans, etc.
- Doors with handles, drawers, heating kits and runners for GN containers can be ordered separately.
- Unit to be mounted on open base cupboards, bridging supports or cantilever systems.
- The four 5.5 kW high efficiency flower flame burners allow the flame to adapt to different size pans.
- Gas appliance supplied for use with natural or LPG gas, conversion jets supplied as standard.
- Large sized pan support in cast iron (stainless steel as option) with long center fins to allow the use of the largest down to the smallest pans.
- Pan supports in cast iron are washable in a dishwasher.
- Burners to feature flame regulator.
- Flame failure device on each burner protects against gas leakage when accidental extinguishing of the flame occurs.
- Protected pilot light.
- IPx4 water protection.

Construction

- All exterior panels in Stainless Steel with Scotch Brite finishing.
- One piece pressed 1.5 mm work top in Stainless steel.
- Model has right-angled side edges to allow flush fitting joints between units, eliminating gaps and possible dirt traps.
- Constructed in Stainless steel with Scotch Brite finish to meet the highest hygiene standards.

Optional Accessories

- Junction sealing kit PNC 206086
- Draught diverter, 150 mm diameter PNC 206132
- Matching ring for flue condenser, 150 mm diameter PNC 206133
- Kit 4 wheels - 2 swivelling with brake - it is mandatory to install Base support and wheels PNC 206135
- Flanged feet kit PNC 206136
- Frontal kicking strip for concrete installation, 800mm PNC 206148
- Frontal kicking strip for concrete installation, 1000mm PNC 206150
- Frontal kicking strip for concrete installation, 1200mm PNC 206151
- Frontal kicking strip for concrete installation, 1600mm PNC 206152

APPROVAL: _____



Electrolux
PROFESSIONAL

Modular Cooking Range Line 700XP 4-Burner Gas Boiling Top on Open Base 800mm

- | | | | |
|--|--|---|-------------------------------------|
| • Frontal handrail 800 mm | PNC 206167
<input type="checkbox"/> | • Double burner smooth plate for direct cooking | PNC 921684 <input type="checkbox"/> |
| • Frontal kicking strip, 800mm (not for refr-freezer base) | PNC 206176
<input type="checkbox"/> | • Double burner ribbed plate for direct cooking | PNC 921685 <input type="checkbox"/> |
| • Frontal kicking strip, 1000mm (not for refr-freezer base) | PNC 206177
<input type="checkbox"/> | • Pressure regulator for gas units | PNC 927225 <input type="checkbox"/> |
| • Frontal kicking strip, 1200mm (not for refr-freezer base) | PNC 206178
<input type="checkbox"/> | | |
| • Frontal kicking strip, 1600mm (not for refr-freezer base) | PNC 206179
<input type="checkbox"/> | | |
| • LARGE HANDRAIL(PORTIONING SHELF)800 MM | PNC 206186
<input type="checkbox"/> | | |
| • FRONTAL HANDRAIL 1200 MM | PNC 206191 <input type="checkbox"/> | | |
| • FRONTAL HANDRAIL 1600 MM | PNC 206192
<input type="checkbox"/> | | |
| • Kit 4 feet for concrete installation (not for 900 line free standing grill) | PNC 206210
<input type="checkbox"/> | | |
| • Right and left side handrails | PNC 206240
<input type="checkbox"/> | | |
| • 2 supports with side runners for 4 GN 1/1 containers for open base cupboards (multifunctional cookers, solid top and gas ranges with cupboard) | PNC 206244
<input type="checkbox"/> | | |
| • Central support for installation of drawers and grid (on 800/1200mm bases) and of doors (on 1200mm bases) | PNC 206245
<input type="checkbox"/> | | |
| • Flue condenser for 1 module, 150 mm diameter | PNC 206246
<input type="checkbox"/> | | |
| • Pair of side kicking strips | PNC 206249
<input type="checkbox"/> | | |
| • Electric heating kit for cupboards | PNC 206259
<input type="checkbox"/> | | |
| • Single burner smooth plate for direct cooking - fits frontal burners only | PNC 206260
<input type="checkbox"/> | | |
| • Single burner ribbed plate for direct cooking- fits frontal burners only | PNC 206261
<input type="checkbox"/> | | |
| • Single burner radiant plate for pan support | PNC 206264
<input type="checkbox"/> | | |
| • Pair of side kicking strips for concrete installation | PNC 206265
<input type="checkbox"/> | | |
| • Water column with swivel arm (water column extension not included) | PNC 206289
<input type="checkbox"/> | | |
| • Water column extension for 700 line | PNC 206291
<input type="checkbox"/> | | |
| • Stainless steel double grid for 2 burners | PNC 206297
<input type="checkbox"/> | | |
| • Chimney upstand, 800mm | PNC 206304
<input type="checkbox"/> | | |
| • Back handrail 800mm, Marine | PNC 206308
<input type="checkbox"/> | | |
| • Wok pan support for open burners (700/900) | PNC 206363
<input type="checkbox"/> | | |
| • Base support for feet or wheels - 800mm (700/900) | PNC 206367
<input type="checkbox"/> | | |
| • Base support for feet or wheels - 1200mm (700/900) | PNC 206368
<input type="checkbox"/> | | |
| • Base support for feet or wheels - 1600mm (700/900) | PNC 206369
<input type="checkbox"/> | | |
| • Rear paneling - 800mm (700/900) | PNC 206374
<input type="checkbox"/> | | |
| • Rear paneling - 1000mm (700/900) | PNC 206375
<input type="checkbox"/> | | |
| • Rear paneling - 1200mm (700/900) | PNC 206376
<input type="checkbox"/> | | |

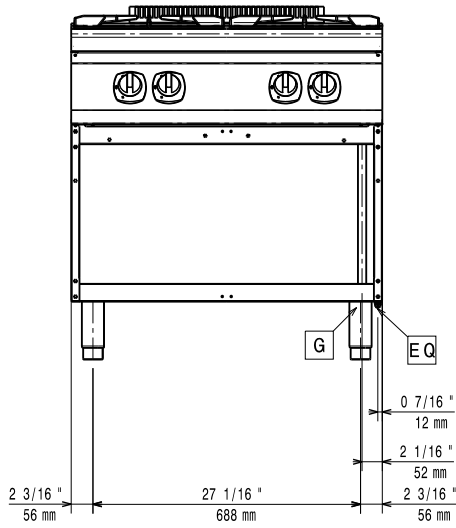


Modular Cooking Range Line
700XP 4-Burner Gas Boiling Top on Open Base 800mm

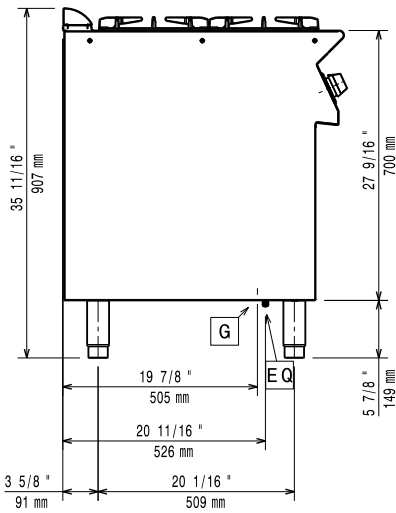
The company reserves the right to make modifications to the products without prior notice. All information correct at time of printing.

2020.11.19

Front

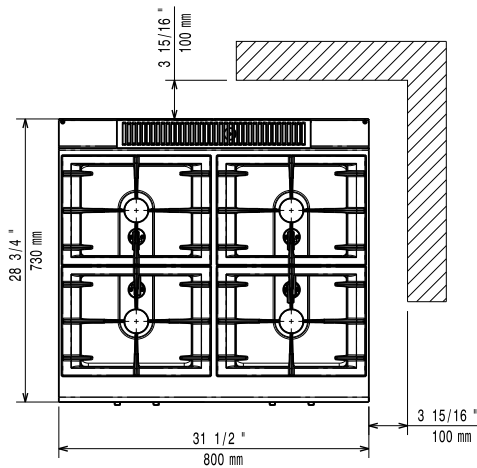


Side



G = Gas connection

Top



Gas

Gas Power:	
371178 (E7GCGH4CO0)	22 kW
Standard gas delivery:	Natural Gas G20 (20mbar)
Gas Type Option:	LPG;Town
Gas Inlet:	1/2"

Key Information:

Front Burners Power:	5.5 - 5.5 kW
Back Burners Power:	5.5 - 5.5 kW
Back Burners Dimension - mm	Ø 60 Ø 60
Front Burners Dimension - mm	Ø 60 Ø 60
External dimensions, Width:	800 mm
External dimensions, Height:	850 mm
External dimensions, Depth:	700 mm
Net weight:	50 kg
Shipping weight:	65 kg
Shipping height:	1080 mm
Shipping width:	820 mm
Shipping depth:	860 mm
Shipping volume:	0.76 m ³

If appliance is set up or next to or against temperature sensitive furniture or similar, a safety gap of approximately 150 mm should be maintained or some form of heat insulation fitted.

Certification group: N7CG