



**Electrolux**  
PROFESSIONAL

**Modular Cooking Range Line  
700XP Two Wells Freestanding  
Electric Fryer 14 liter**

ITEM # \_\_\_\_\_

MODEL # \_\_\_\_\_

NAME # \_\_\_\_\_

SIS # \_\_\_\_\_

AIA # \_\_\_\_\_



**371085 (E7FREH2FF0)**

14+14-lt electric Fryer free standing with 2 wells and 2 baskets, internal heating elements

**371144 (E7FREH2FFN)**

14+14-lt electric Fryer free standing with 2 wells and 2 baskets, internal heating elements

**Short Form Specification**

**Item No.** \_\_\_\_\_

To be installed on height adjustable feet in stainless steel. High efficiency tilting incoloy armoured heating elements (17.4kW) placed inside the wells. Deep drawn wells. Oil drains through a tap into a container under the well. Exterior panels in stainless steel with Scotch Brite finish. One piece pressed work top in 1.5 mm thick stainless steel. Right-angled side edges to allow flush-fitting junction between units.

**Main Features**

- Unit to be mounted on height adjustable feet in stainless steel.
- Thermostatic regulation of oil temperature up to a maximum of 185 °C.
- Overheat protection thermostat as standard on all units.
- Oil drains through a tap into a drainage container positioned under the well.
- All major compartments located in front of unit for ease of maintenance.
- IPx4 water protection.
- Incoloy armoured heating elements located inside the well can be lifted up for easier cleaning.
- Optional portable oil quality monitoring tool (code 9B8081) for efficient oil management.

**Construction**

- Interior of well with rounded corners for ease of cleaning.
- All exterior panels in Stainless Steel with Scotch Brite finishing.
- One piece pressed 1.5 mm work top in Stainless steel.
- Model has right-angled side edges to allow flush fitting joints between units, eliminating gaps and possible dirt traps.

**Included Accessories**

- 2 of Door for open base cupboard PNC 206350
- 2 of Full size basket for 14 and 15lt free standing fryers PNC 921691

**Optional Accessories**

- Junction sealing kit PNC 206086
- Kit 4 wheels - 2 swivelling with brake - it is mandatory to install Base support and wheels PNC 206135
- Flanged feet kit PNC 206136
- Frontal kicking strip for concrete installation, 800mm PNC 206148
- Frontal kicking strip for concrete installation, 1000mm PNC 206150
- Frontal kicking strip for concrete installation, 1200mm PNC 206151
- Frontal kicking strip for concrete installation, 1600mm PNC 206152
- Frontal kicking strip, 800mm (not for refr-freezer base) PNC 206176
- Frontal kicking strip, 1000mm (not for refr-freezer base) PNC 206177

**APPROVAL:** \_\_\_\_\_



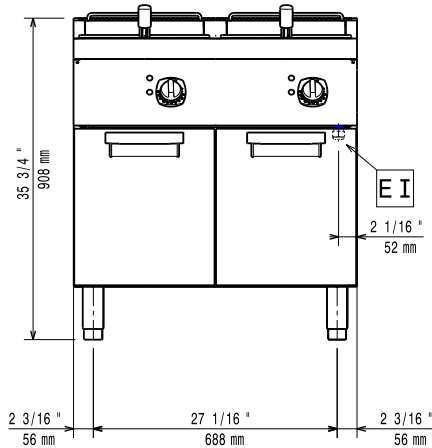
**700XP Two Wells Freestanding Electric Fryer 14 liter**  
**Modular Cooking Range Line**



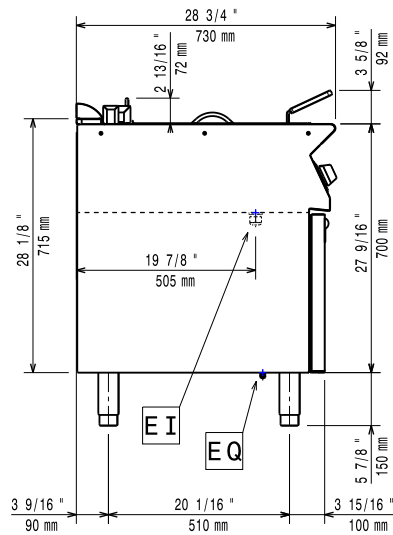
Experience the Excellence  
[www.electroluxprofessional.com](http://www.electroluxprofessional.com)

- Frontal kicking strip, 1200mm (not for refr-freezer base)  PNC 206178
- Frontal kicking strip, 1600mm (not for refr-freezer base)  PNC 206179
- Kit 4 feet for concrete installation (not for 900 line free standing grill)  PNC 206210
- Pair of side kicking strips  PNC 206249
- Pair of side kicking strips for concrete installation  PNC 206265
- Chimney upstand, 800mm  PNC 206304
- Right and left side handrails  PNC 206307
- Back handrail 800mm, Marine  PNC 206308
- Door for open base cupboard  PNC 206350
- Base support for feet or wheels - 800mm (700/900)  PNC 206367
- Base support for feet or wheels - 1200mm (700/900)  PNC 206368
- Base support for feet or wheels - 1600mm (700/900)  PNC 206369
- Base support for feet or wheels - 2000mm (700/900)  PNC 206370
- Rear paneling - 800mm (700/900)  PNC 206374
- Rear paneling - 1000mm (700/900)  PNC 206375
- Rear paneling - 1200mm (700/900)  PNC 206376
- Chimney grid net, 400mm (700XP/900)  PNC 206400
- 2 side covering panels for free standing appliances  PNC 216000
- Full size basket for 14 and 15lt free standing fryers  PNC 921691
- 2 half size baskets for 12, 14 and 15lt fryers  PNC 921692
- Filter for fryer oil collection basin for 7lt, 14lt, 15lt free standing fryers  PNC 921693

Front

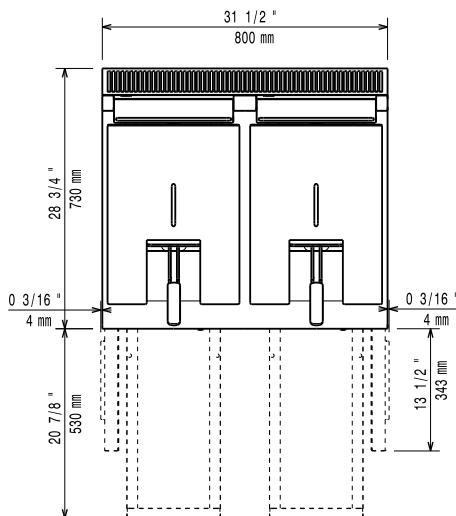


Side



EI = Electrical inlet (power)  
 EQ = Equipotential screw

Top



## Electric

### Supply voltage:

371085 (E7FREH2FF0) 380-400 V/3N ph/50/60 Hz  
 371144 (E7FREH2FFN) 230 V/3 ph/50/60 Hz

### Total Watts:

17.4 kW

### Predisposed for:

371085 (E7FREH2FF0) 380-400V 3N- 50/60Hz  
 15,7-17,4kW

## Key Information:

Usable well dimensions  
 (width):

240 mm

Usable well dimensions  
 (height):

285 mm

Usable well dimensions  
 (depth):

380 mm

Well capacity:

12 lt MIN; 14 lt MAX

Thermostat Range:

105 °C MIN; 185 °C MAX

Net weight:

81 kg

Shipping weight:

371085 (E7FREH2FF0) 84 kg  
 371144 (E7FREH2FFN) 101 kg

Shipping height:

371085 (E7FREH2FF0) 1130 mm  
 371144 (E7FREH2FFN) 1140 mm

Shipping width:

820 mm

Shipping depth:

860 mm

Shipping volume:

0.8 m<sup>3</sup>

If appliance is set up or next to or against temperature sensitive furniture or similar, a safety gap of approximately 150 mm should be maintained or some form of heat insulation fitted.

Certification group:

371085 (E7FREH2FF0) EF17214  
 371144 (E7FREH2FFN) N7FE2