



Modular Cooking Range Line 700XP Full Module Electric Bain Marie Top

ITEM # _____

MODEL # _____

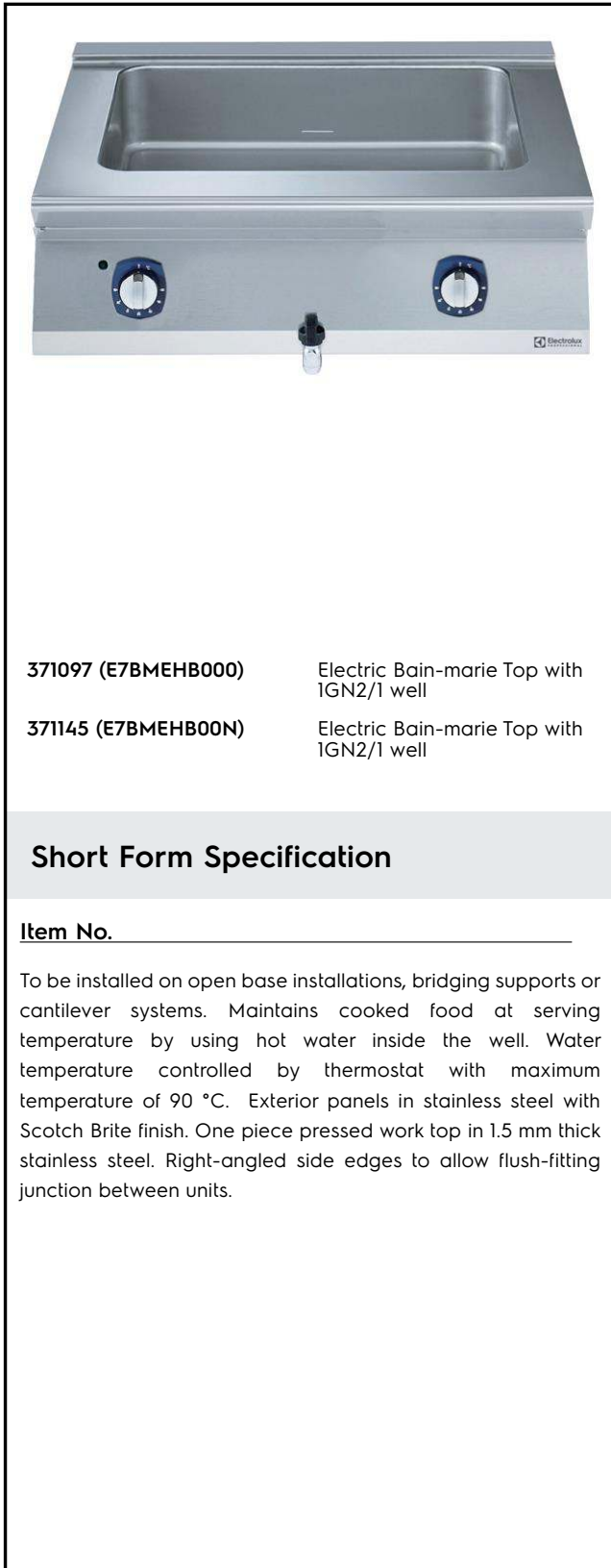
NAME # _____

SIS # _____

AIA # _____



Modular Cooking Range Line
700XP Full Module Electric Bain Marie Top



371097 (E7BMEHB000)

Electric Bain-marie Top with
1GN2/1 well

371145 (E7BMEHB00N)

Electric Bain-marie Top with
1GN2/1 well

Short Form Specification

Item No. _____

To be installed on open base installations, bridging supports or cantilever systems. Maintains cooked food at serving temperature by using hot water inside the well. Water temperature controlled by thermostat with maximum temperature of 90 °C. Exterior panels in stainless steel with Scotch Brite finish. One piece pressed work top in 1.5 mm thick stainless steel. Right-angled side edges to allow flush-fitting junction between units.

Main Features

- Unit to be mounted on open base cupboards, bridging supports or cantilever systems.
- Bain Marie used for keeping cooked food at serving temperatures using hot water.
- Incoloy armoured heating elements positioned beneath the base of the well.
- Water basin is seamlessly welded into the top of the appliance.
- Filling water level is plate-marked on the side of the well.
- Unit to feature manual refill of well.
- Water temperature controlled by thermostat with maximum temperature value of 90 °C.
- Basin drained by tap on the front of the machine.
- All major compartments located in front of unit for ease of maintenance.

Construction

- All exterior panels in Stainless Steel with Scotch Brite finishing.
- One piece pressed 1.5 mm work top in Stainless steel.
- Model has right-angled side edges to allow flush fitting joints between units, eliminating gaps and possible dirt traps.

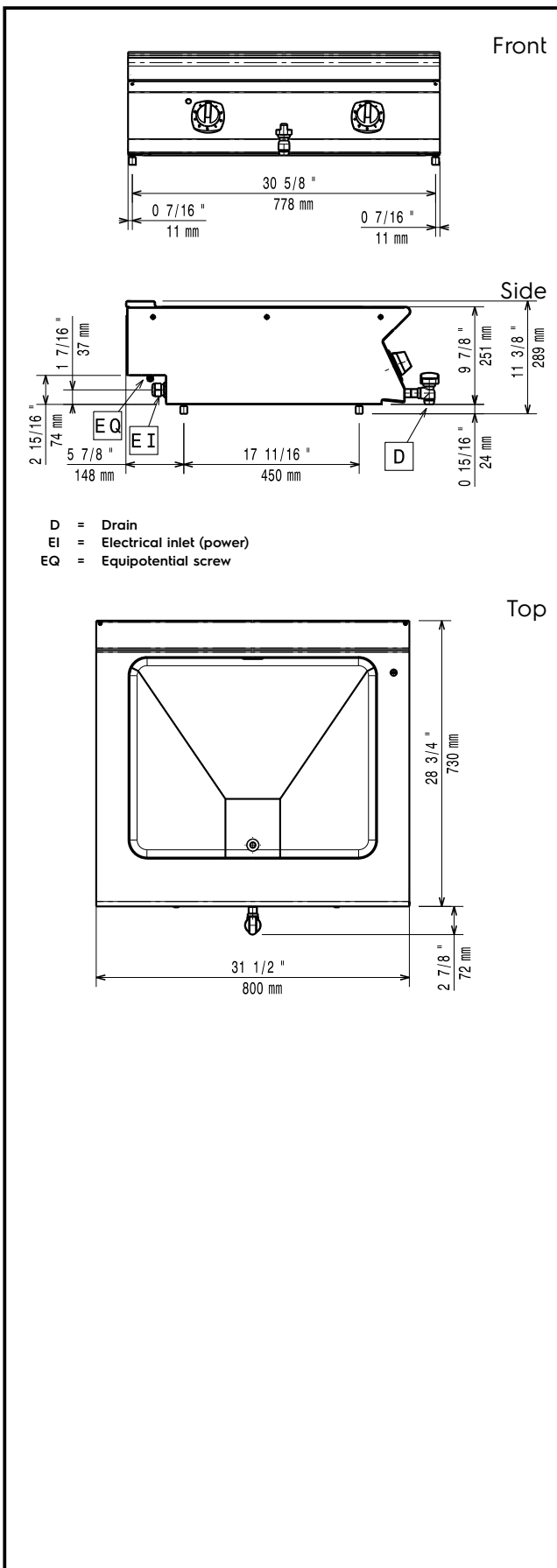
APPROVAL: _____



Experience the Excellence
www.electroluxprofessional.com

Optional Accessories

- Junction sealing kit PNC 206086
- Support for bridge type installation, 800mm PNC 206137
- Support for bridge type installation, 1000mm PNC 206138
- Support for bridge type installation, 1200mm PNC 206139
- Support for bridge type installation, 1400mm PNC 206140
- Support for bridge type installation, 1600mm PNC 206141
- Chimney upstand, 800mm PNC 206304
- Right and left side handrails PNC 206307
- Back handrail 800mm, Marine PNC 206308
- Frontal handrail, 800mm PNC 216047
- Frontal handrail, 1200mm PNC 216049
- Frontal handrail, 1600mm PNC 216050
- Large handrail - portioning shelf, 800mm PNC 216186
- 2 side covering panels for top appliances PNC 216277
- Drilled false bottom full module for bain-marie PNC 921623
- Water filling tap for bain-marie top PNC 921627



Electric

Supply voltage:

371097 (E7BMEHB000)	380-400 V/2N ph/50/60 Hz
371145 (E7BMEHB00N)	230 V/3 ph/50/60 Hz

Total Watts:

3 kW

Predisposed for:

371097 (E7BMEHB000)	380-400V 2N- 50/60Hz 2,7-3kW
---------------------	---------------------------------

Water:

Water Drain:

371097 (E7BMEHB000)	50 mm
---------------------	-------

Key Information:

Usable well dimensions

(width): 630 mm

Usable well dimensions

(height): 156 mm

Usable well dimensions

(depth): 510 mm

Thermostat Range:

30 °C MIN; 90 °C MAX

External dimensions, Width:

800 mm

External dimensions, Height:

250 mm

External dimensions, Depth:

730 mm

Net weight:

27 kg

Shipping weight:

371097 (E7BMEHB000) 35 kg

371145 (E7BMEHB00N) 40 kg

Shipping height:

371097 (E7BMEHB000) 520 mm

371145 (E7BMEHB00N) 540 mm

Shipping width:

820 mm

Shipping depth:

860 mm

Shipping volume:

371097 (E7BMEHB000) 0.37 m³

371145 (E7BMEHB00N) 0.38 m³

If appliance is set up or next to or against temperature sensitive furniture or similar, a safety gap of approximately 150 mm should be maintained or some form of heat insulation fitted.

Certification group:

371097 (E7BMEHB000) N7BE

371145 (E7BMEHB00N) N7BE1