



Electrolux
PROFESSIONAL

**Beverage Dispensing System
Hot Chocolate Dispenser, 3 L,
black**

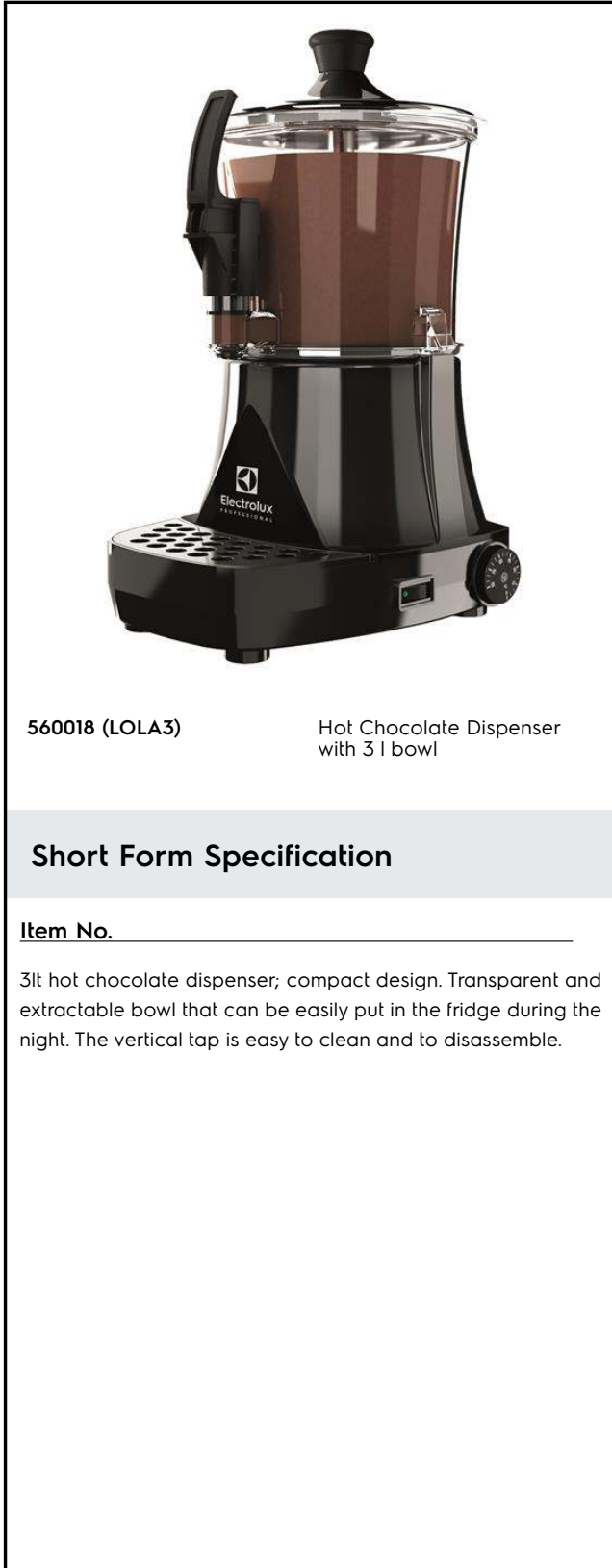
ITEM # _____

MODEL # _____

NAME # _____

SIS # _____

AIA # _____



560018 (LOLA3)

Hot Chocolate Dispenser
with 3 l bowl

Short Form Specification

Item No. _____

3lt hot chocolate dispenser; compact design. Transparent and extractable bowl that can be easily put in the fridge during the night. The vertical tap is easy to clean and to disassemble.

Main Features

- Hot chocolate dispenser ideal also for small places thanks to its compact design.
- Transparent and extractable bowl that can be easily put in the fridge during the night.
- The vertical tap is easy to clean and to disassemble.

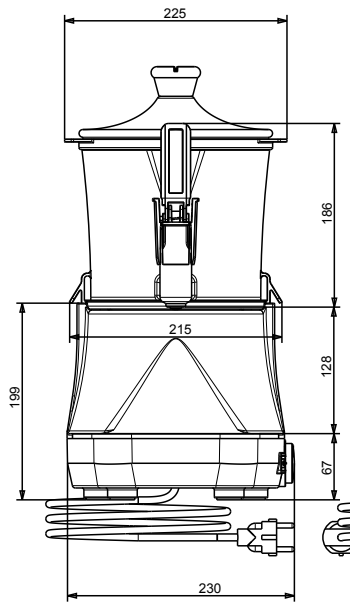
APPROVAL: _____



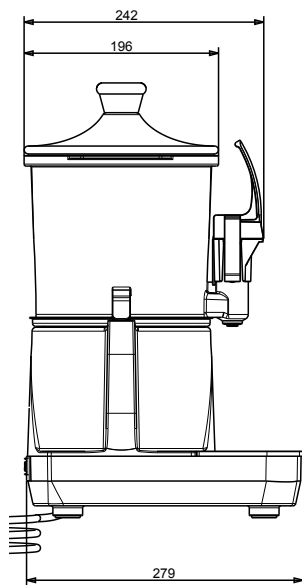
Experience the Excellence
www.electroluxprofessional.com

**Beverage Dispensing System
Hot Chocolate Dispenser, 3 L, black**

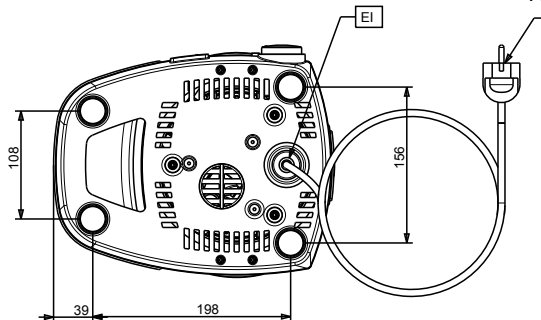
Front



Side



Top



Electric

Supply voltage:

560018 (LOLA3) 220-240 V/1 ph/50 Hz

Electrical power max.:

0.85 kW

Key Information:

External dimensions, Width: 233 mm

External dimensions, Height: 436 mm

External dimensions, Depth: 281 mm

Net weight: 5.2 kg

Shipping weight: 7 kg

Shipping height: 490 mm

Shipping width: 320 mm

Shipping depth: 360 mm

Shipping volume: 0.06 m³