

Electrical connections					
Heating alternative	Main voltage		Heating power kW	Total power kW	Recommended fuse A
		Hz			
Electric heated	220-230V 3 ~	50/60	19.1	20.2	63
	220-240V 3 ~	50/60	19.8/23.0	20.9/24.1	63/63
	380-400V 3/3N ~	50/60	19.1	20.2	35
	380-415V 3/3N ~	50/60	19.8/23.0	20.6/24.1	35/50
	440V 3 ~	50/60	21.0/23.0	22.2/24.1	35/35
	480V 3 ~	60	22.8/23.0	23.9/24.1	35/35
Steam or Non heated	220-415V 1/3N ~	50/60	-	1.3	10
	380-480V 3 ~	50/60	-	1.3	10

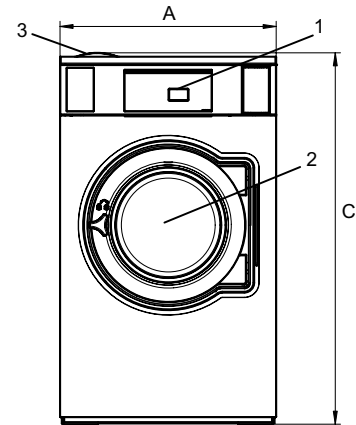
* Total power and recommended fuse does not depend on the heating power in those cases.

Water and steam connection		WN6-35
Water valves	DN	20
Water pressure	kPa	200-600
Capacity at 300 kPa	l/min	60
Drain valve	ø mm	75
Draining capacity	l/min	170
Steam valve	DN	15
Steam pressure	kPa	300-600
Liquid detergent supplies		5
Floor requirements		
Frequency of the dynamic force	Hz	7.9
Floor load at max extraction	kN	4.6 ± 5.6
Sound levels		
Sound power/pressure level at extraction*	dB(A)	72/57
Sound power/pressure level at wash*	dB(A)	67/51
Heat emission		
% of installed power, max		5
Shipping data**		
Weight	net, kg	307
Shipping volume	m ³	1.86
Accessories		
Steel base		x
Hose kits for water or steam		x
Fluff collector		x
Dimensions in mm		
A Width		910
B Depth		1115
C Height		1465
D1		505
D2		585
E		1675
F		1170
G		80
H		1365
I		345
J		245
K		1325
L		1245
M		280
N		105
O		210
P		160
1 Operating panel	7 Drain valve	
2 Door opening ø 435 mm	8 Liquid detergent supply	
3 Detergent box	9 Electrical connection	
4 Cold water	10 Steam connection	
5 Hot water		
6 Re-used water		

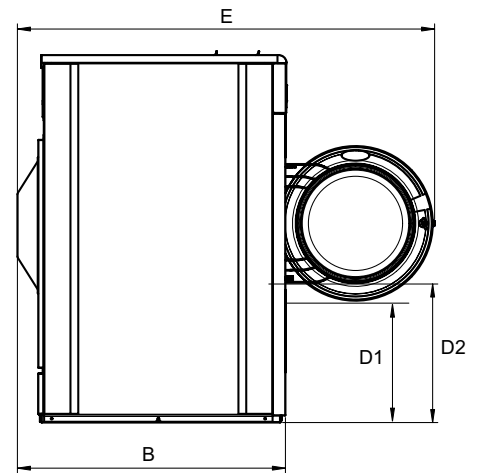
Front and side panels in silver grey and dark blue (color samples can be ordered on part number 472998313).

* Sound power levels measured according to ISO 60704.

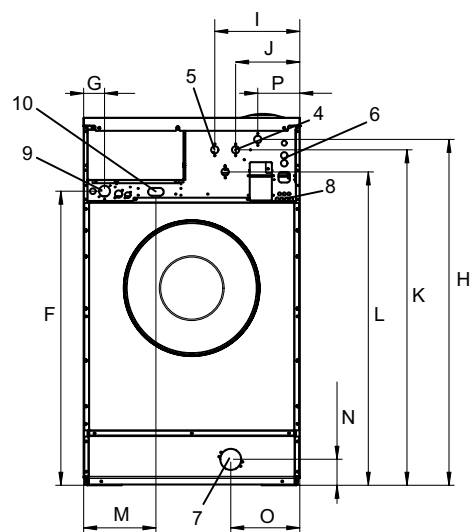
** Average data. Crated weight/shipping volume depends on configuration. Please contact logistics for exact measures.



Front



Side view



Rear