

## Soft Served K Soft Ice Cream Dispenser, 150cones/h (70gr) or 9kg, pump

ITEM # \_\_\_\_\_

MODEL # \_\_\_\_\_

NAME # \_\_\_\_\_

SIS # \_\_\_\_\_

AIA # \_\_\_\_\_


**560028 (KARMAP)**

Soft ice cream dispenser with 4,5 l tank capacity and 2,3 l cylinder volume, hourly production: up to 130 cones (75 gr) or 9 kg, pump version

### Short Form Specification

Item No. \_\_\_\_\_

Ideal for the preparation of soft serve ice cream and frozen yogurt. Hourly capacity: up to 130 cones (9 kg/h). Defrost/night mode: temperature will settle at 0/+2°C and the product will remain fresh without getting stressed; turning on again the freezing system the product will be ready in a few minutes. Stainless Steel panels. Minimum level warning light. Pump feeding system.

APPROVAL: \_\_\_\_\_

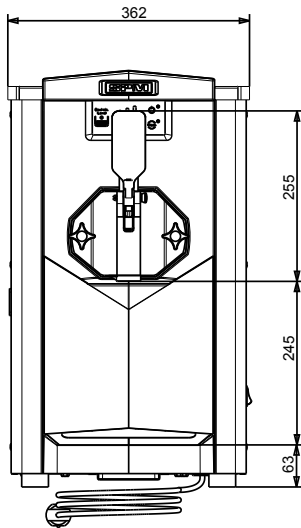
### Main Features

- Ideal for serving of soft serve ice cream and frozen yogurt.
- Defrost/night mode: to activate push on the key with the - symbol until all led lights are off. By this way temperature will settle at 0/+2°C and the product will remain fresh without getting stressed; turning on again the freezing system the product will be ready in a few minutes.
- Minimum level warning light.
- Customizable dispensing lever.
- Small and silent machine.
- Pump feeding system.
- Hourly capacity (up to): 130 cones (5 kg/h).

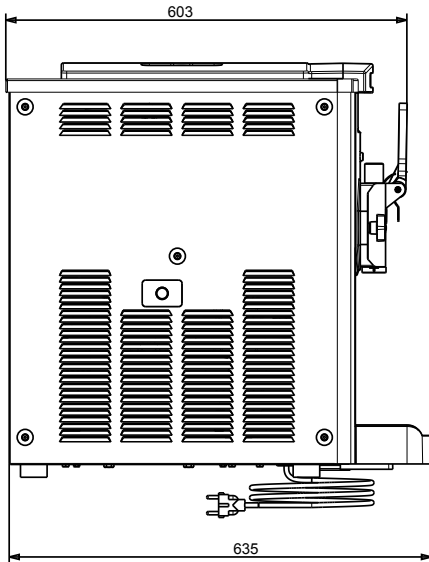
### Construction

- Stainless Steel panels.

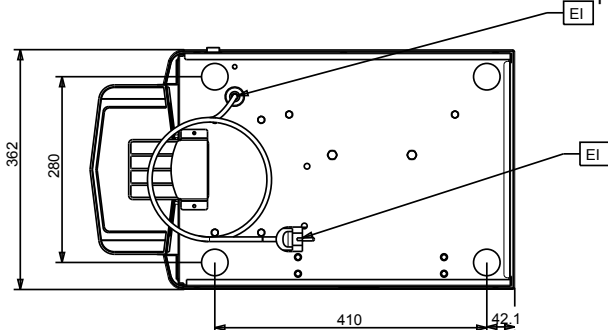
Front



Side



Top



### Electric

**Supply voltage:**

560028 (KARMAP) 220-240 V/1 ph/50 Hz

**Electrical power max.:**

1.15 kW

### Key Information:

<b>External dimensions, Width:</b>	357 mm
<b>External dimensions, Height:</b>	657 mm
<b>External dimensions, Depth:</b>	521 mm
<b>Net weight:</b>	75 kg
<b>Freezing cylinder capacity:</b>	2.29999995231628 lt
<b>Preparation system:</b>	pump
<b>Plug type:</b>	CE-SHUKO

### Refrigeration Data

<b>Refrigerant type:</b>	R452A
--------------------------	-------