

## Soft Served K Soft Ice Cream Dispenser, 150cones/h (70gr) or 9kg, gravity

ITEM # \_\_\_\_\_

MODEL # \_\_\_\_\_

NAME # \_\_\_\_\_

SIS # \_\_\_\_\_

AIA # \_\_\_\_\_


**560027 (KARMAG)**

Soft ice cream dispenser with 6,5 l tank capacity and 2,3 l cylinder volume, hourly production: up to 120 cones (75 gr) or 9 kg, gravity version

### Short Form Specification

**Item No.** \_\_\_\_\_

Ideal for the preparation of soft serve ice cream and frozen yogurt. Hourly capacity: up to 120 cones (9 kg/h). Defrost/night mode: temperature will settle at 0/+2°C and the product will remain fresh without getting stressed; turning on again the freezing system the product will be ready in a few minutes. Stainless Steel panels. Minimum level warning light. Gravity feeding system.

**APPROVAL:** \_\_\_\_\_

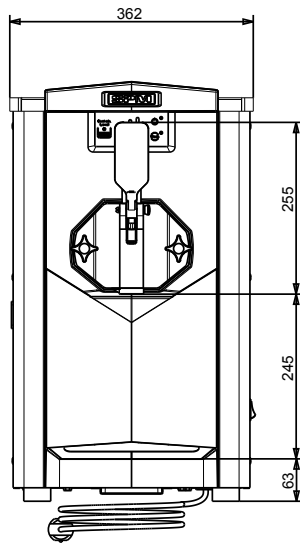
### Main Features

- Ideal for serving of soft serve ice cream and frozen yogurt.
- Defrost/night mode: to activate push on the key with the - symbol until all led lights are off. By this way temperature will settle at 0/+2°C and the product will remain fresh without getting stressed; turning on again the freezing system the product will be ready in a few minutes.
- Minimum level warning light.
- Customizable dispensing lever.
- Small and silent machine.
- Gravity feeding system.
- Hourly capacity (up to): 120 cones (5 kg/h).

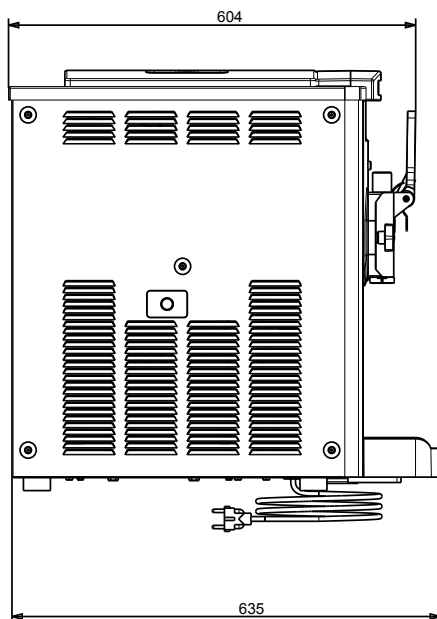
### Construction

- Stainless Steel panels.

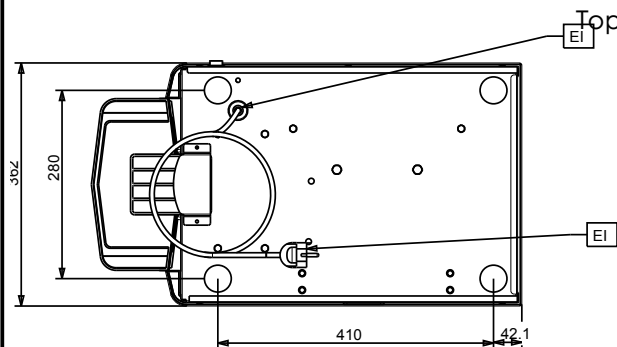
Front



Side



Top



### Electric

Supply voltage:

560027 (KARMAG) 220-240 V/1 ph/50 Hz

Electrical power max.:

1.15 kW

### Key Information:

External dimensions, Width: 357 mm

External dimensions, Height: 647 mm

External dimensions, Depth: 521 mm

Net weight: 70 kg

Freezing cylinder capacity: 2.3 lt

Preparation system: gravity

Plug type: CE-SHUKO

### Refrigeration Data

Refrigerant type: R452A