

Soft Served
KS Soft Ice Cream Dispenser,
85cones/h (70gr) or 5kg, gravity

ITEM # _____

MODEL # _____

NAME # _____

SIS # _____

AIA # _____


560025 (KSFTG)

Soft ice cream dispenser with 2,5 l tank capacity and 1 l cylinder volume, hourly production: up to 65 cones (75 gr) or 5 kg, gravity version

Short Form Specification

Item No. _____

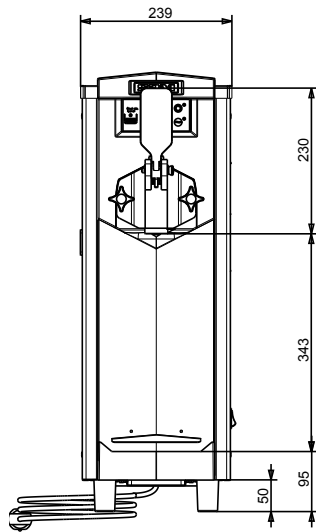
Compact counter top unit for production of soft ice cream and frozen yogurt, ideal for small spaces. Hourly capacity: up to 65 cones (5 kg/h); 2,5lt capacity+1lt inside the freezing cylinder. Gravity feeding system.

APPROVAL: _____

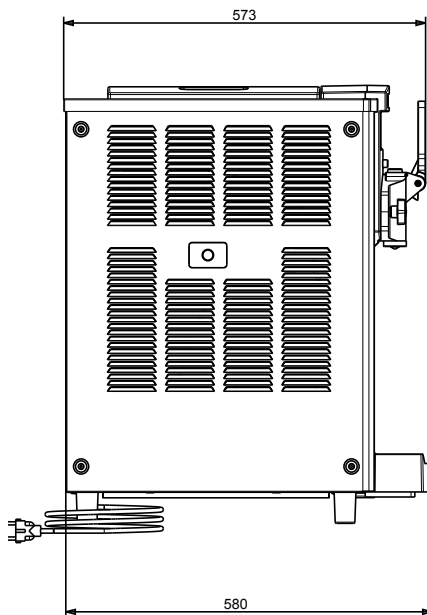
Main Features

- Compact counter top unit for production of soft ice cream and frozen yogurt, ideal for small spaces.
- Gravity feeding system.
- Very quiet operation.
- Hourly capacity (up to): 65 cones (5 kg/h).

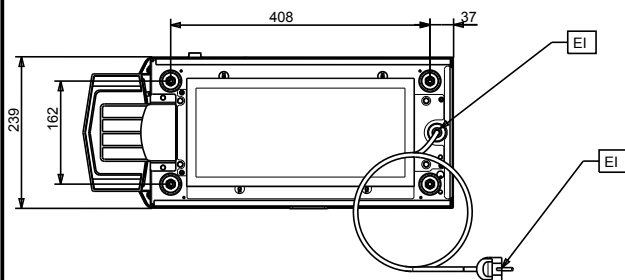
Front



Side



Top



Electric

Supply voltage:

560025 (KSFTG) 220-240 V/1 ph/50 Hz

Electrical power max.: 1.05 kW

Key Information:

External dimensions, Width: 240 mm

External dimensions, Height: 700 mm

External dimensions, Depth: 580 mm

Net weight: 55 kg

Freezing cylinder capacity: 1 lt

Preparation system: gravity

Plug type: CE-SHUKO

Refrigeration Data

Refrigerant type: R452A