

## Food Holding Equipment SafeBox Hold

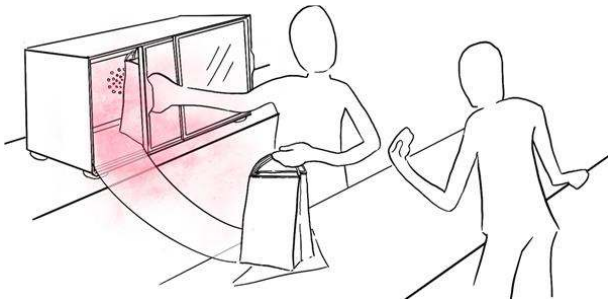
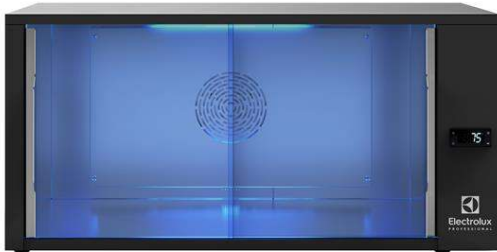
ITEM # \_\_\_\_\_

MODEL # \_\_\_\_\_

NAME # \_\_\_\_\_

SIS # \_\_\_\_\_

AIA # \_\_\_\_\_


**240025 (SAFEBOXEU)**

 SafeBox Hold Warming  
 Container for food pick up,  
 take away and delivery

### Short Form Specification

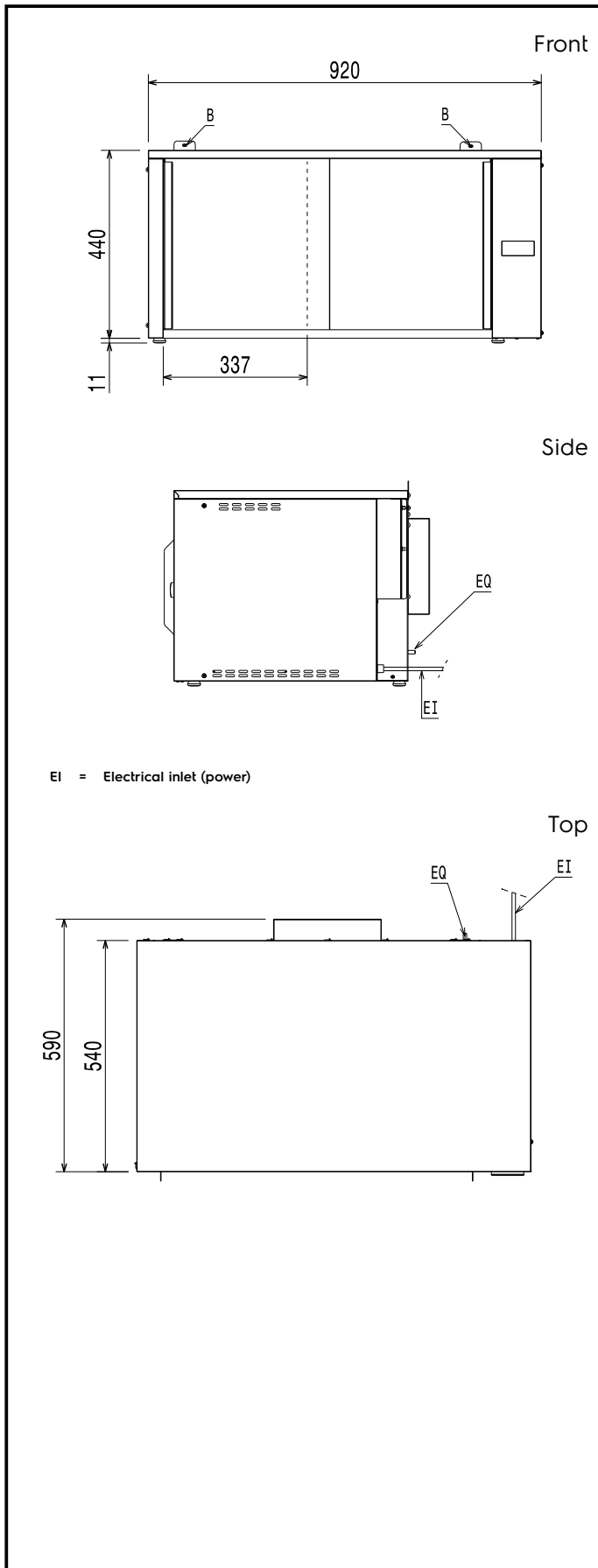
Item No. \_\_\_\_\_

Designed to serve restaurateurs active in take-away and delivery operations. Can accommodate large paper shoppers, paper boxes or pizza boxes (pizza diameter up to 33 cm). Features a ventilated heat system to envelop the packaged meals with hot air and preserve the original taste. The fast heat recovery in combination with the UVC lamp mounted on the ceiling also serves bactericidal and viricidal purposes. 2 sliding doors ensure comfort of operations and at the same time reduce space occupancy. Possibility to stack up to 3 units thus increasing capacity according to the customer's requirements.

### Main Features

- Keeps multiple packaged meals ready for pickup, preserving the food quality and safety.
- It is designed to serve restaurateurs active in take-away and delivery operations.
- Can accommodate large paper shoppers, paper boxes or pizza boxes (pizza diameter up to 33 cm).
- Features a ventilated heat system to envelop the packaged meals with hot air and preserve the original taste.
- The fast heat recovery in combination with the UVC lamp mounted on the ceiling also serves bactericidal and viricidal purposes.
- 2 sliding doors ensure comfort of operations and at the same time reduce space occupancy. The UVC lamp is activated only when the doors are properly closed (verified via dedicated sensors).  
The handles incorporate a photocatalytic coating to guarantee antibacterial activity.
- The unit fits 600 mm deep counters and does not require extra space for ventilation.
- The temperature can be set on the back of the unit and ranges from 60 to 85°C.
- It's possible to stack up to 3 units thus increasing capacity according to the customer's requirements with no extra space occupancy.
- The stacked units can be connected on the back and transfer energy from one to the others, requiring just 1 cord and 1 plug for the whole execution.

APPROVAL: \_\_\_\_\_


**Electric**

<b>Supply voltage:</b>	
240025 (SAFEBOXEU)	220-240 V/1 ph/50 Hz
<b>Installed Power :</b>	0.59 kW
<b>Plug type:</b>	CE-SCHUKO

**Key Information:**

<b>External dimensions, Width:</b>	920 mm
<b>External dimensions, Depth:</b>	590 mm
<b>External dimensions, Height:</b>	450 mm
<b>Net weight:</b>	36 kg
<b>Noise level:</b>	48 dBA
<b>Internal dimensions, Width:</b>	770 mm
<b>Internal dimensions, Depth:</b>	410 mm
<b>Internal dimensions, Height:</b>	350 mm
<b>Waterproof index:</b>	IPX3