

## Coffee System

### Coffee Grinder with Hopper, 0,7 kg, black

ITEM # \_\_\_\_\_

MODEL # \_\_\_\_\_

NAME # \_\_\_\_\_

SIS # \_\_\_\_\_

AIA # \_\_\_\_\_


**600657 (E835B)**

Single portion grinder with one 0,7 kg hopper (grind types: Turkish, Espresso, Fine, Auto Drip, Drip, Percolator, Coarse)

### Short Form Specification

**Item No.** \_\_\_\_\_

Coffee grinder with hopper, black color. Fast grind time, suitable for various types of coffee. Compact dimensions for table top configuration.

Powerful motor with circuit breaker and manual on/off switch.

### Main Features

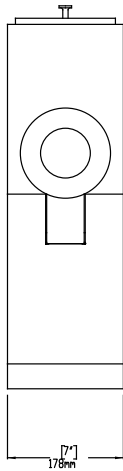
- Easy-to-Follow instructions.
- Fast grind time.
- Steep slope hopper promotes a bean flow without blocking.
- Ideal for all self-service applications, including grocery stores and specialty shops.
- How to Operate:
  - 1. Turn the selector knob to the desired grind setting.
  - 2. Fill the hopper with the desired type and amount of whole bean coffee. Close the lid.
  - 3. Place the bag underneath the spout.
  - 4. Press the start button.
  - 5. Press the stop button after the grinder has completed grinding.
  - 6. Remove bag from coffee spout once coffee is ground.

### Construction

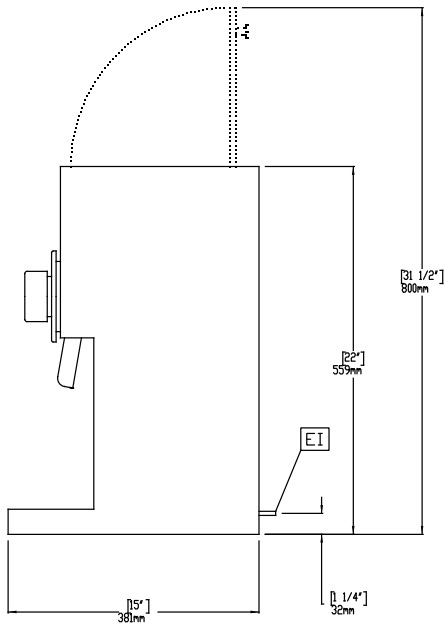
- Powerful motor with circuit breaker.
- Separate start/stop push buttons.
- Precision burrs.
- Stainless steel tidy tray with pull out drawer.
- Stainless steel front panel.

**APPROVAL:** \_\_\_\_\_

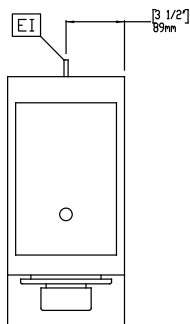
Front



Side



Top



## Electric

Supply voltage:

600657 (E835B)

230 V/1N ph/50 Hz

Electrical power max.:

0.8 kW

## Key Information:

External dimensions, Width:	178 mm
External dimensions, Height:	559 mm
External dimensions, Depth:	381 mm
Net weight:	18 kg
Shipping weight:	20 kg
Shipping height:	699 mm
Shipping width:	318 mm
Shipping depth:	470 mm
Shipping volume:	0.1 m <sup>3</sup>